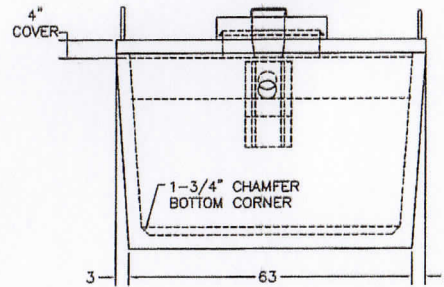
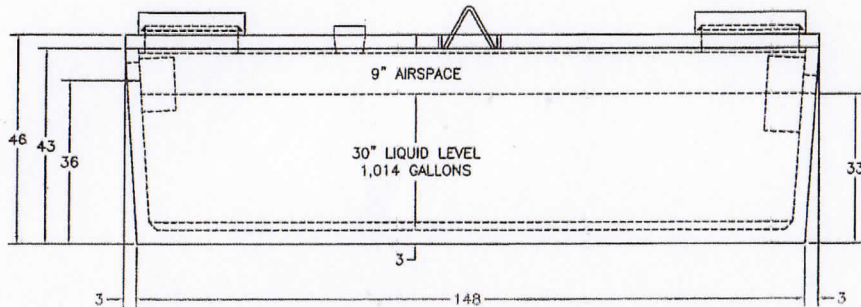
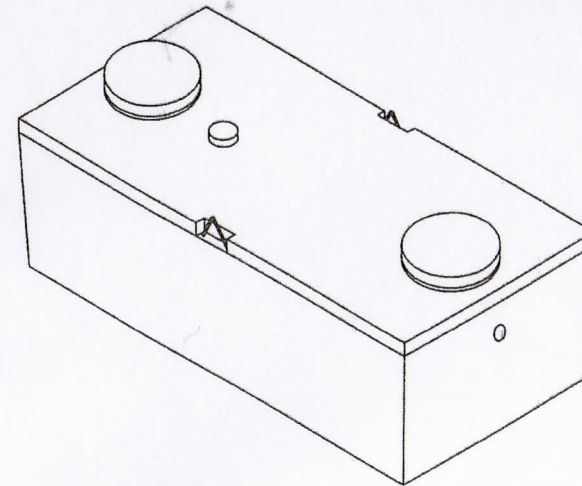
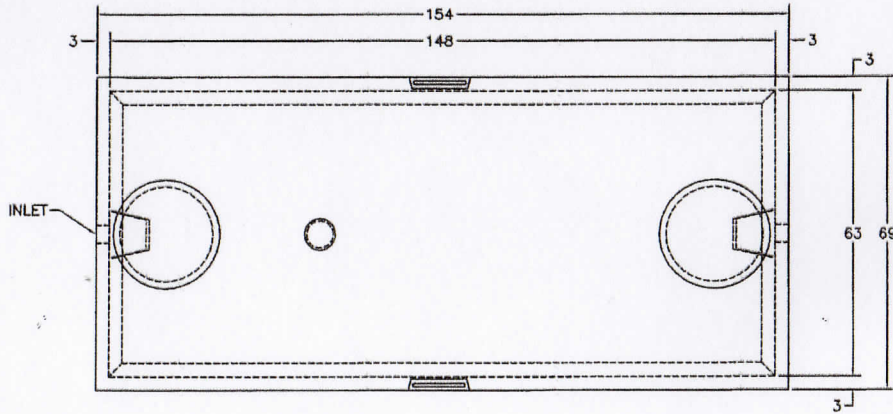


DWG. NO.	DESCRIPTION
WC001001	

REVISIONS				
REV.	REV. NO.	DESCRIPTION	DATE	APP.



COVER: .81 CU YD CONCRETE  
3,299 LBS.

TANK: 1.62 CU YD CONCRETE  
6,589 LBS.

HIGH DENSITY  
POLYETHYLENE BAFFLE  
LOCATE AS REQUIRED

MATERIAL:		REDROCK PRECAST	
<small>REDROCK PRECAST THIS DRAWING IS A PRELIMINARY DRAWING AND IS NOT TO BE USED FOR CONSTRUCTION OR FOR ANY OTHER PURPOSES WITHOUT THE WRITTEN PERMISSION OF REDROCK PRECAST. ALL DIMENSIONS ARE IN INCHES UNLESS OTHERWISE SPECIFIED. UNLESS OTHERWISE SPECIFIED, ALL DIMENSIONS ARE TO FACE UNLESS OTHERWISE SPECIFIED. UNLESS OTHERWISE SPECIFIED, ALL DIMENSIONS ARE TO FACE UNLESS OTHERWISE SPECIFIED. UNLESS OTHERWISE SPECIFIED, ALL DIMENSIONS ARE TO FACE UNLESS OTHERWISE SPECIFIED.</small>			
<small>GROUP</small> D		<small>DO NOT SCALE DRAWING</small> TITLE 1,000 GALLON LOW-BOY SEPTIC TANK	
<small>REV</small> 0		<small>SCALE FULL</small> WC001001	