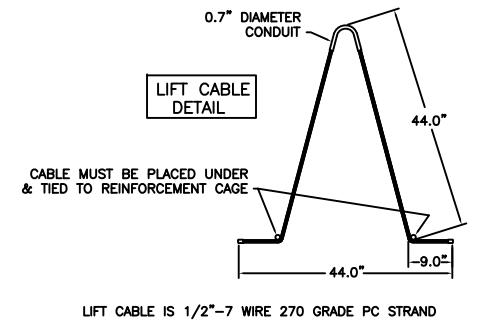
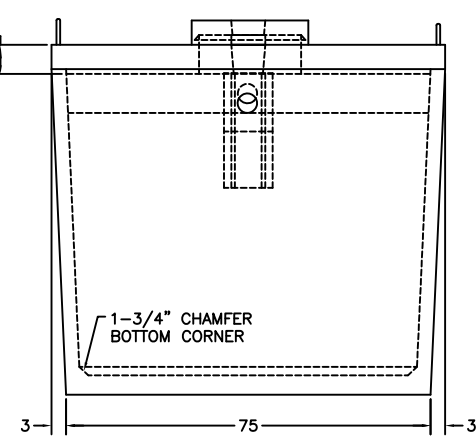
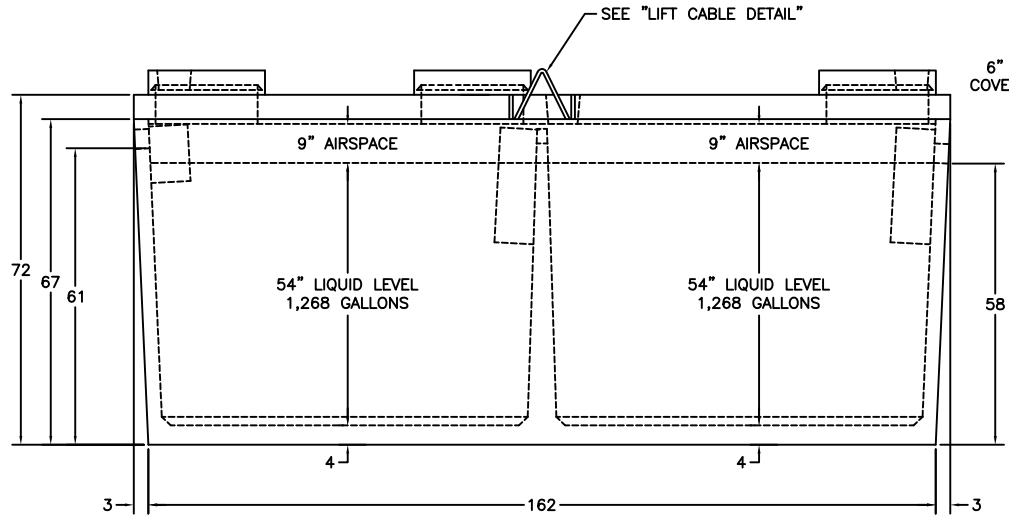
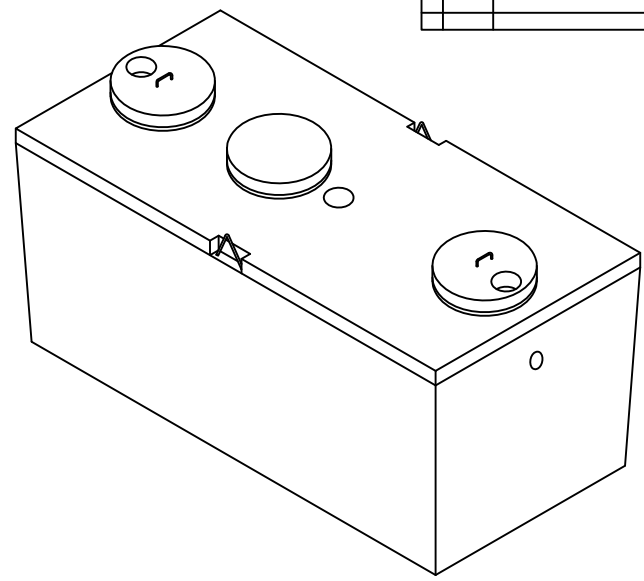
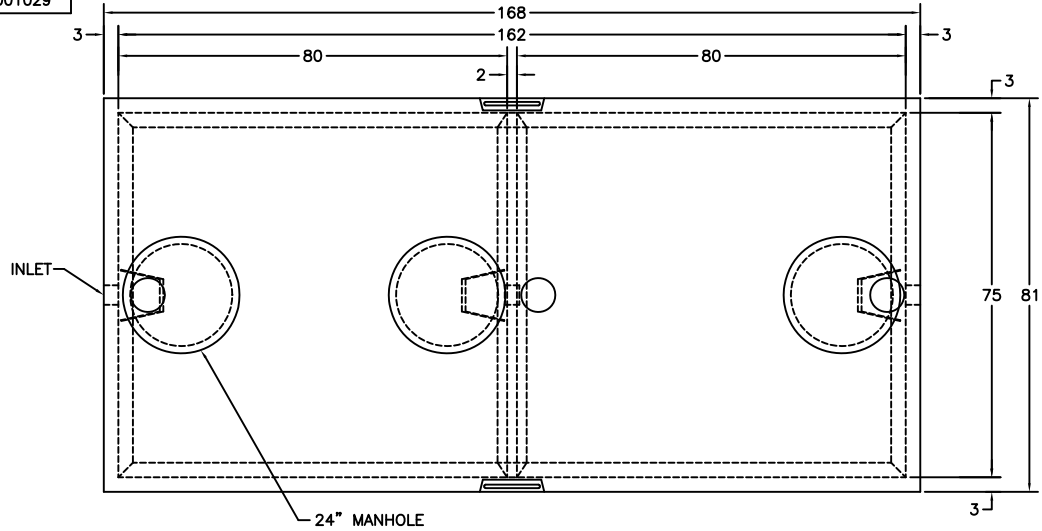


TAB. NO.	DESCRIPTION
WC001029	

REVISIONS				
REV.	ECO. NO.	DESCRIPTION	DRW. DATE	CHKD. APPD.



COVER: 1.68 CU YD CONCRETE
6,820 LBS.

TANK: 3.0 CU YD CONCRETE
12,022 LBS.

HIGH DENSITY
POLYETHYLENE BAFFLE
LOCATE AS REQUIRED

MATERIAL:	REDROCK PRECAST		
<small>REDROCK PRECAST THIS DRAWING CONTAINS CONFIDENTIAL AND PROPRIETARY INFORMATION OF R.P.I. NOT TO BE USED BY OR DISCLOSED TO ANY OTHER ORGANIZATION OR LEGAL ENTITY WITHOUT THE WRITTEN PERMISSION OF A REPRESENTATIVE OF R.P.I.</small>			
ASSEMBLES, WELDS, AND RAW MATERIAL TO BE FREE OF RUST	CHKD. RAJ	DATE 10/2/12	TITLE 2,500 GALLON 2 COMP. 1,250 / 1,250 GAL.
REVIEW & RESOLVE ALL SHARP EDGES AND CORNERS	CHKD.	APPD.	GROUP DO NOT SCALE DRAWING
STANDARD TOLERANCES & NOTES UNLESS OTHERWISE SPECIFIED:	APPR. WEIGHT	MATERIAL	SIZE NUMBER WC001029
DIMENSIONS ARE IN INCHES	FINISH	SCALE FULL	REV B
.X & .J000 & ANGLES & J00 & FRACTIONAL &		REF	SHT OF