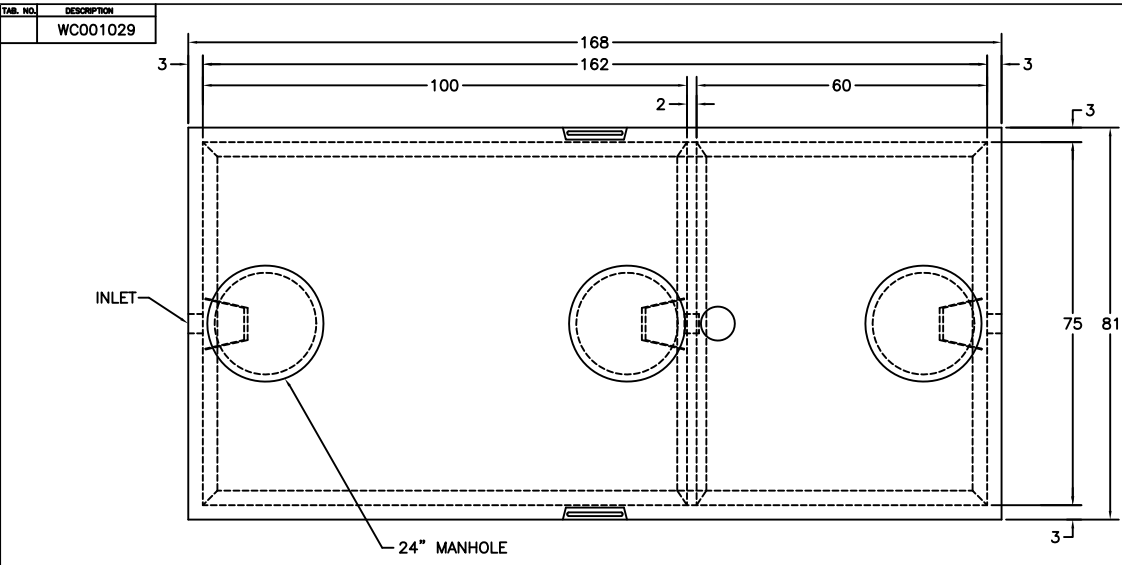


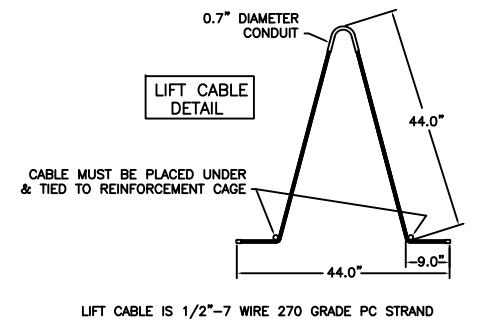
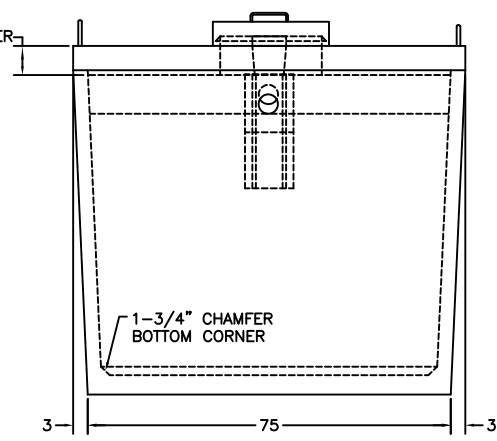
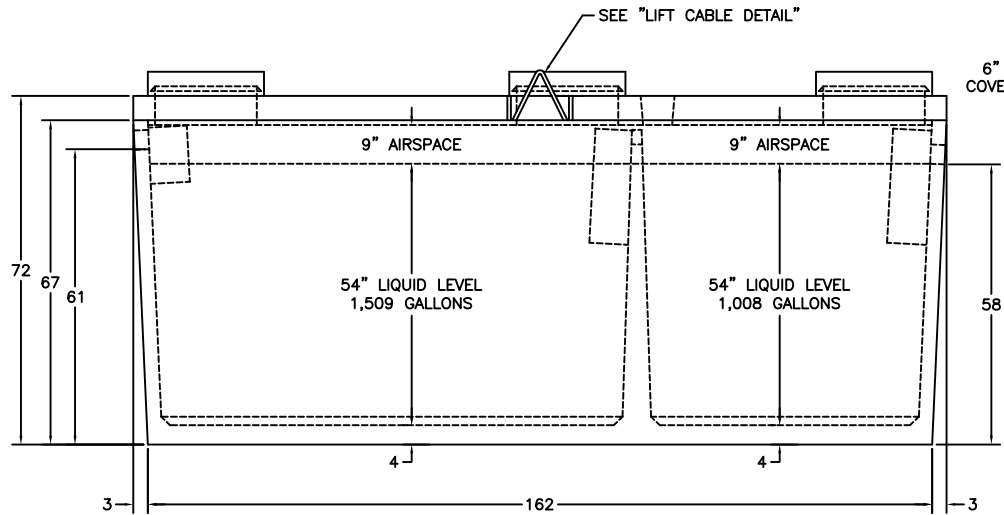
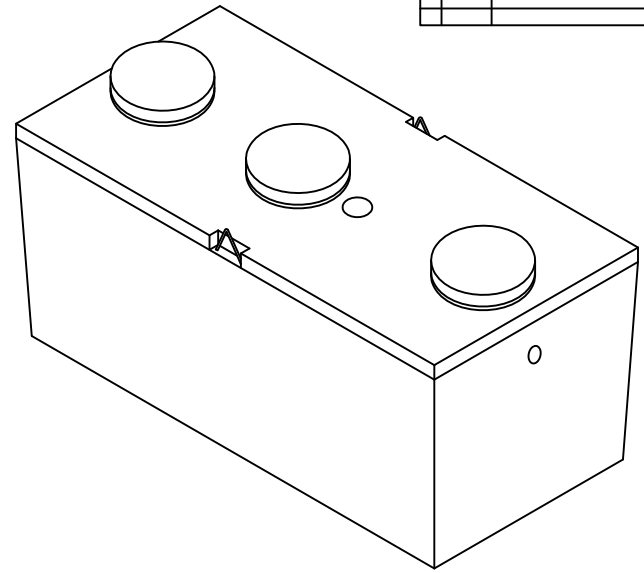
2,500 GALLON

1,500/1,000

10



REVISIONS				
REV	EDD NO.	DESCRIPTION	DRW. DATE	DRW. APPD.



COVER: 1.68 CU YD CONCRETE
6,820 LBS.

TANK: 3.0 CU YD CONCRETE
12,022 LBS.

HIGH DENSITY
POLYETHYLENE BAFFLE
LOCATE AS REQUIRED

MATERIAL:		REDROCK PRECAST		
<small>REDROCK PRECAST THIS DRAWING CONTAINS CONFIDENTIAL AND PROPRIETARY INFORMATION OF R.P.I. NOT TO BE USED BY OR DISCLOSED TO ANY OTHER INDIVIDUAL OR FIRM WITHOUT EXPRESS APPROVAL OF A REPRESENTATIVE OF R.P.I.</small>				
<small>ASSEMBLY, WELDMENTS AND RIVETS MATERIAL TO BE FREE OF RUST DEBURR & REMOVE ALL SHARP EDGES AND CORNERS UNLESS OTHERWISE SPECIFIED</small>	<small>DRW. CHG. RAJ</small>	<small>DATE 05/12</small>	<small>TITLE</small> 2,500 GALLON 2 COMP. 1,500 / 1,000 GAL.	
<small>STANDARD TOLERANCES & NOTES DIMENSIONS ARE IN INCHES UNSPECIFIED TOLERANCES</small>	<small>APPD.</small>	<small>GROUP</small>	<small>DO NOT SCALE DRAWING</small>	
<small>J1 & J2 & J3 & J4 & J5 & J6 & J7 & J8 & J9 & J10 & J11 & J12 & J13 & J14 & J15 & J16 & J17 & J18 & J19 & J20 & J21 & J22 & J23 & J24 & J25 & J26 & J27 & J28 & J29 & J30 & J31 & J32 & J33 & J34 & J35 & J36 & J37 & J38 & J39 & J40 & J41 & J42 & J43 & J44 & J45 & J46 & J47 & J48 & J49 & J50 & J51 & J52 & J53 & J54 & J55 & J56 & J57 & J58 & J59 & J60 & J61 & J62 & J63 & J64 & J65 & J66 & J67 & J68 & J69 & J70 & J71 & J72 & J73 & J74 & J75 & J76 & J77 & J78 & J79 & J80 & J81 & J82 & J83 & J84 & J85 & J86 & J87 & J88 & J89 & J90 & J91 & J92 & J93 & J94 & J95 & J96 & J97 & J98 & J99 & J100 & J101 & J102 & J103 & J104 & J105 & J106 & J107 & J108 & J109 & J110 & J111 & J112 & J113 & J114 & J115 & J116 & J117 & J118 & J119 & J120 & J121 & J122 & J123 & J124 & J125 & J126 & J127 & J128 & J129 & J130 & J131 & J132 & J133 & J134 & J135 & J136 & J137 & J138 & J139 & J140 & J141 & J142 & J143 & J144 & J145 & J146 & J147 & J148 & J149 & J150 & J151 & J152 & J153 & J154 & J155 & J156 & J157 & J158 & J159 & J160 & J161 & J162 & J163 & J164 & J165 & J166 & J167 & J168 & J169 & J170 & J171 & J172 & J173 & J174 & J175 & J176 & J177 & J178 & J179 & J180 & J181 & J182 & J183 & J184 & J185 & J186 & J187 & J188 & J189 & J190 & J191 & J192 & J193 & J194 & J195 & J196 & J197 & J198 & J199 & J200 & J201 & J202 & J203 & J204 & J205 & J206 & J207 & J208 & J209 & J210 & J211 & J212 & J213 & J214 & J215 & J216 & J217 & J218 & J219 & J220 & J221 & J222 & J223 & J224 & J225 & J226 & J227 & J228 & J229 & J230 & J231 & J232 & J233 & J234 & J235 & J236 & J237 & J238 & J239 & J240 & J241 & J242 & J243 & J244 & J245 & J246 & J247 & J248 & J249 & J250 & J251 & J252 & J253 & J254 & J255 & J256 & J257 & J258 & J259 & J260 & J261 & J262 & J263 & J264 & J265 & J266 & J267 & J268 & J269 & J270 & J271 & J272 & J273 & J274 & J275 & J276 & J277 & J278 & J279 & J280 & J281 & J282 & J283 & J284 & J285 & J286 & J287 & J288 & J289 & J290 & J291 & J292 & J293 & J294 & J295 & J296 & J297 & J298 & J299 & J300 & J301 & J302 & J303 & J304 & J305 & J306 & J307 & J308 & J309 & J310 & J311 & J312 & J313 & J314 & J315 & J316 & J317 & J318 & J319 & J320 & J321 & J322 & J323 & J324 & J325 & J326 & J327 & J328 & J329 & J330 & J331 & J332 & J333 & J334 & J335 & J336 & J337 & J338 & J339 & J340 & J341 & J342 & J343 & J344 & J345 & J346 & J347 & J348 & J349 & J350 & J351 & J352 & J353 & J354 & J355 & J356 & J357 & J358 & J359 & J360 & J361 & J362 & J363 & J364 & J365 & J366 & J367 & J368 & J369 & J370 & J371 & J372 & J373 & J374 & J375 & J376 & J377 & J378 & J379 & J380 & J381 & J382 & J383 & J384 & J385 & J386 & J387 & J388 & J389 & J390 & J391 & J392 & J393 & J394 & J395 & J396 & J397 & J398 & J399 & J400 & J401 & J402 & J403 & J404 & J405 & J406 & J407 & J408 & J409 & J410 & J411 & J412 & J413 & J414 & J415 & J416 & J417 & J418 & J419 & J420 & J421 & J422 & J423 & J424 & J425 & J426 & J427 & J428 & J429 & J430 & J431 & J432 & J433 & J434 & J435 & J436 & J437 & J438 & J439 & J440 & J441 & J442 & J443 & J444 & J445 & J446 & J447 & J448 & J449 & J450 & J451 & J452 & J453 & J454 & J455 & J456 & J457 & J458 & J459 & J460 & J461 & J462 & J463 & J464 & J465 & J466 & J467 & J468 & J469 & J470 & J471 & J472 & J473 & J474 & J475 & J476 & J477 & J478 & J479 & J480 & J481 & J482 & J483 & J484 & J485 & J486 & J487 & J488 & J489 & J490 & J491 & J492 & J493 & J494 & J495 & J496 & J497 & J498 & J499 & J500 & J501 & J502 & J503 & J504 & J505 & J506 & J507 & J508 & J509 & J510 & J511 & J512 & J513 & J514 & J515 & J516 & J517 & J518 & J519 & J520 & J521 & J522 & J523 & J524 & J525 & J526 & J527 & J528 & J529 & J530 & J531 & J532 & J533 & J534 & J535 & J536 & J537 & J538 & J539 & J540 & J541 & J542 & J543 & J544 & J545 & J546 & J547 & J548 & J549 & J550 & J551 & J552 & J553 & J554 & J555 & J556 & J557 & J558 & J559 & J560 & J561 & J562 & J563 & J564 & J565 & J566 & J567 & J568 & J569 & J570 & J571 & J572 & J573 & J574 & J575 & J576 & J577 & J578 & J579 & J580 & J581 & J582 & J583 & J584 & J585 & J586 & J587 & J588 & J589 & J590 & J591 & J592 & J593 & J594 & J595 & J596 & J597 & J598 & J599 & J600 & J601 & J602 & J603 & J604 & J605 & J606 & J607 & J608 & J609 & J610 & J611 & J612 & J613 & J614 & J615 & J616 & J617 & J618 & J619 & J620 & J621 & J622 & J623 & J624 & J625 & J626 & J627 & J628 & J629 & J630 & J631 & J632 & J633 & J634 & J635 & J636 & J637 & J638 & J639 & J640 & J641 & J642 & J643 & J644 & J645 & J646 & J647 & J648 & J649 & J650 & J651 & J652 & J653 & J654 & J655 & J656 & J657 & J658 & J659 & J660 & J661 & J662 & J663 & J664 & J665 & J666 & J667 & J668 & J669 & J670 & J671 & J672 & J673 & J674 & J675 & J676 & J677 & J678 & J679 & J680 & J681 & J682 & J683 & J684 & J685 & J686 & J687 & J688 & J689 & J690 & J691 & J692 & J693 & J694 & J695 & J696 & J697 & J698 & J699 & J700 & J701 & J702 & J703 & J704 & J705 & J706 & J707 & J708 & J709 & J710 & J711 & J712 & J713 & J714 & J715 & J716 & J717 & J718 & J719 & J720 & J721 & J722 & J723 & J724 & J725 & J726 & J727 & J728 & J729 & J730 & J731 & J732 & J733 & J734 & J735 & J736 & J737 & J738 & J739 & J740 & J741 & J742 & J743 & J744 & J745 & J746 & J747 & J748 & J749 & J750 & J751 & J752 & J753 & J754 & J755 & J756 & J757 & J758 & J759 & J760 & J761 & J762 & J763 & J764 & J765 & J766 & J767 & J768 & J769 & J770 & J771 & J772 & J773 & J774 & J775 & J776 & J777 & J778 & J779 & J780 & J781 & J782 & J783 & J784 & J785 & J786 & J787 & J788 & J789 & J790 & J791 & J792 & J793 & J794 & J795 & J796 & J797 & J798 & J799 & J800 & J801 & J802 & J803 & J804 & J805 & J806 & J807 & J808 & J809 & J810 & J811 & J812 & J813 & J814 & J815 & J816 & J817 & J818 & J819 & J820 & J821 & J822 & J823 & J824 & J825 & J826 & J827 & J828 & J829 & J830 & J831 & J832 & J833 & J834 & J835 & J836 & J837 & J838 & J839 & J840 & J841 & J842 & J843 & J844 & J845 & J846 & J847 & J848 & J849 & J850 & J851 & J852 & J853 & J854 & J855 & J856 & J857 & J858 & J859 & J860 & J861 & J862 & J863 & J864 & J865 & J866 & J867 & J868 & J869 & J870 & J871 & J872 & J873 & J874 & J875 & J876 & J877 & J878 & J879 & J880 & J881 & J882 & J883 & J884 & J885 & J886 & J887 & J888 & J889 & J890 & J891 & J892 & J893 & J894 & J895 & J896 & J897 & J898 & J899 & J900 & J901 & J902 & J903 & J904 & J905 & J906 & J907 & J908 & J909 & J910 & J911 & J912 & J913 & J914 & J915 & J916 & J917 & J918 & J919 & J920 & J921 & J922 & J923 & J924 & J925 & J926 & J927 & J928 & J929 & J930 & J931 & J932 & J933 & J934 & J935 & J936 & J937 & J938 & J939 & J940 & J941 & J942 & J943 & J944 & J945 & J946 & J947 & J948 & J949 & J950 & J951 & J952 & J953 & J954 & J955 & J956 & J957 & J958 & J959 & J960 & J961 & J962 & J963 & J964 & J965 & J966 & J967 & J968 & J969 & J970 & J971 & J972 & J973 & J974 & J975 & J976 & J977 & J978 & J979 & J980 & J981 & J982 & J983 & J984 & J985 & J986 & J987 & J988 & J989 & J990 & J991 & J992 & J993 & J994 & J995 & J996 & J997 & J998 & J999 & J1000</small>	<small>FINISH</small>	<small>GROUP</small>	<small>DO NOT SCALE DRAWING</small>	
<small>SCALE FULL</small>	<small>REF</small>	<small>SHT</small>	<small>OF</small>	