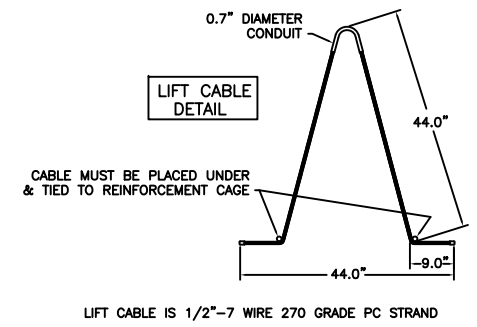
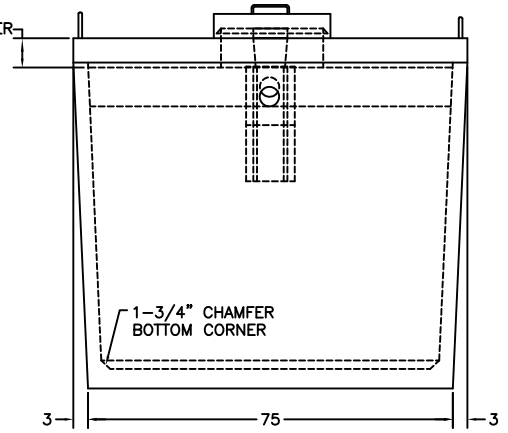
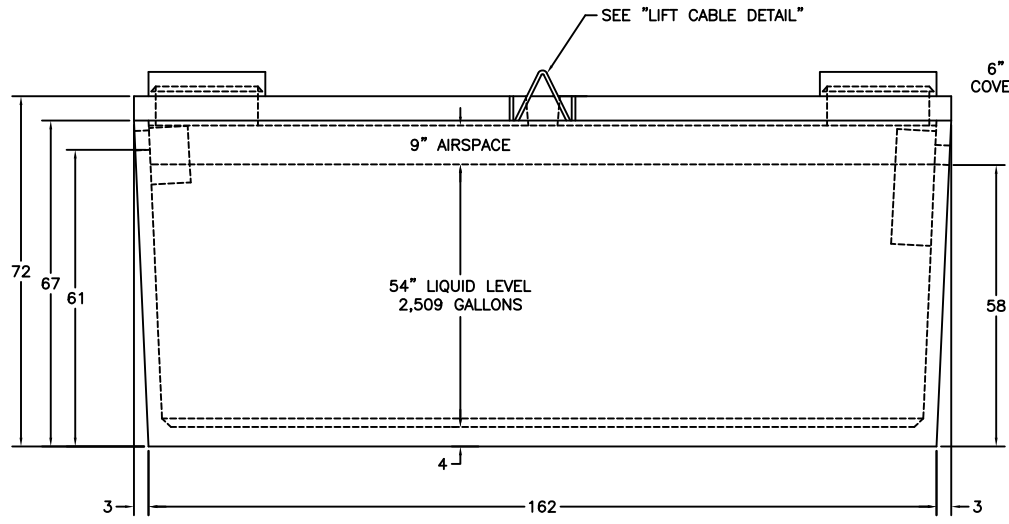
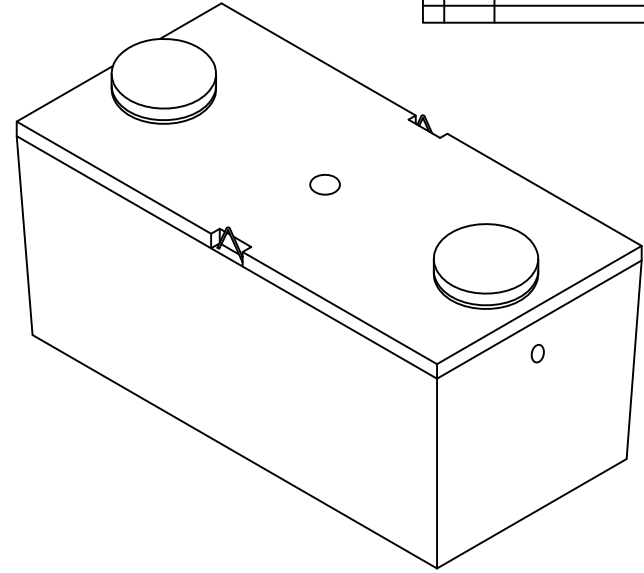
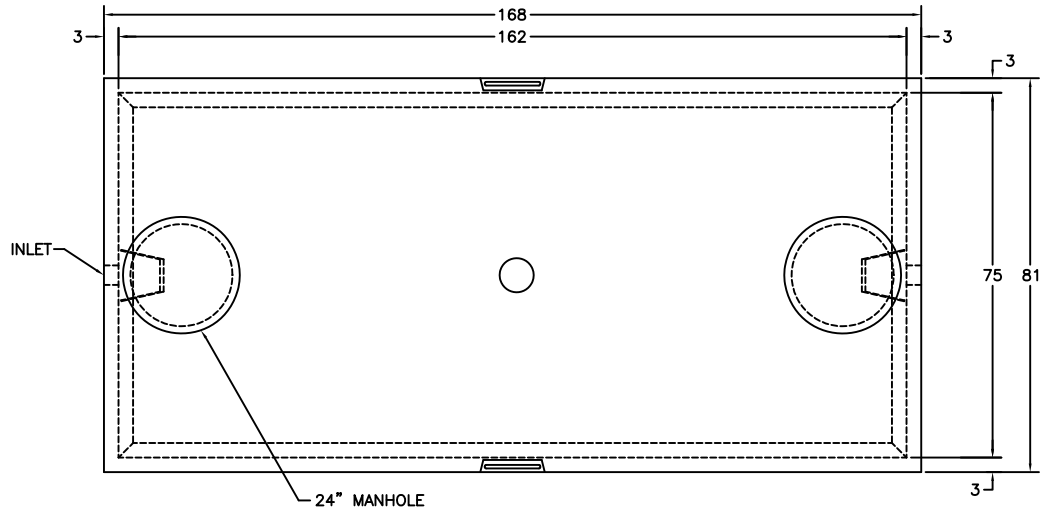


TAB. NO.	DESCRIPTION
WC001029	

REVISIONS					
REV.	ECO NO.	DESCRIPTION	DRN.	DATE	CHKD. APPD.



COVER: 1.68 CU YD CONCRETE  
 6,820 LBS.

TANK: 3.0 CU YD CONCRETE  
 12,022 LBS.

HIGH DENSITY  
 POLYETHYLENE BAFFLE  
 LOCATE AS REQUIRED

MATERIAL: REDROCK PRECAST		TITLE: 2,500 GALLON SEPTIC TANK	
<small>REDROCK PRECAST                  THIS DRAWING CONTAINS CONFIDENTIAL AND PROPRIETARY INFORMATION OF R.P.L.                  NOT TO BE USED BY OR DISCLOSED TO ANY OTHER INDIVIDUAL OR                  FIRM WITHOUT APPROVAL OF A REPRESENTATIVE OF R.P.L.</small>			
ASSEMBLER, WELDER, AND R/W/ MATERIAL TO BE FREE OF RUST	CHG. RAJ	DATE: 10/12/12	REV B
DESIGNER & CHECKER ALL SHARP EDGES AND CORNERS	APPD.	GROUP	DO NOT SCALE DRAWING
STANDARD TOLERANCES & NOTES (UNLESS OTHERWISE SPECIFIED)	APPX. WEIGHT	SIZE NUMBER	WC001029
DIMENSIONS ARE IN INCHES	MATERIAL	SCALE	FULL
.X ± J00K ± J0K ± ANGLES ± J00 ± FRACTIONAL ±	FINISH	REF	SHF OF