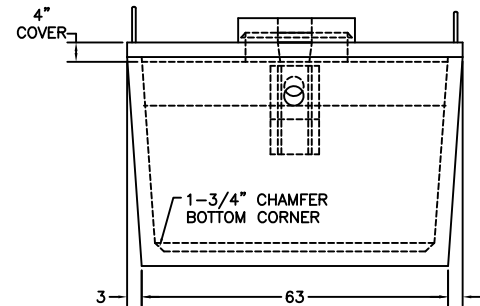
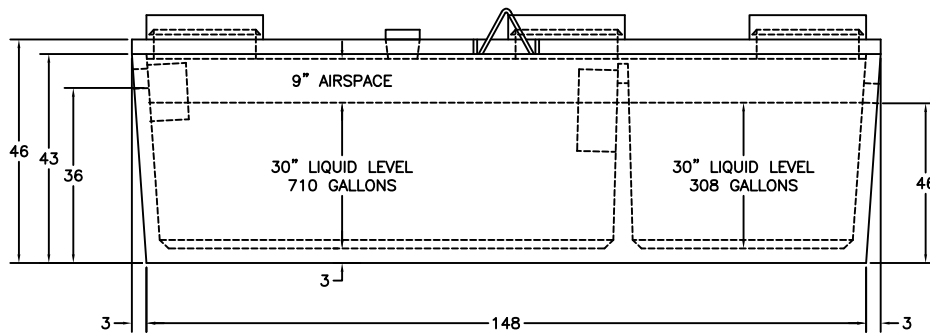
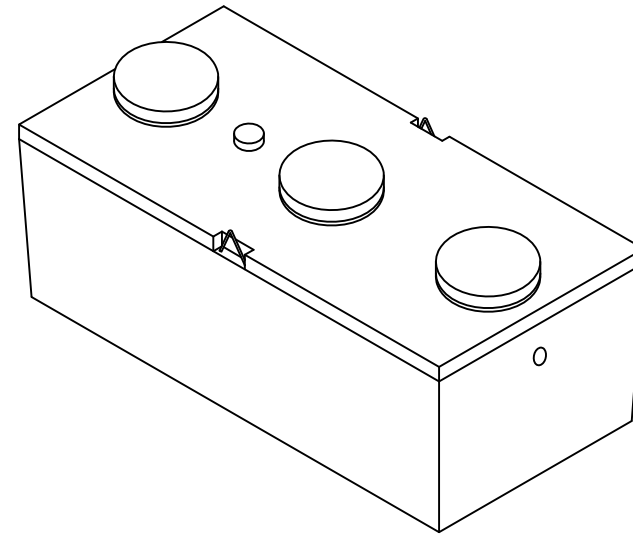
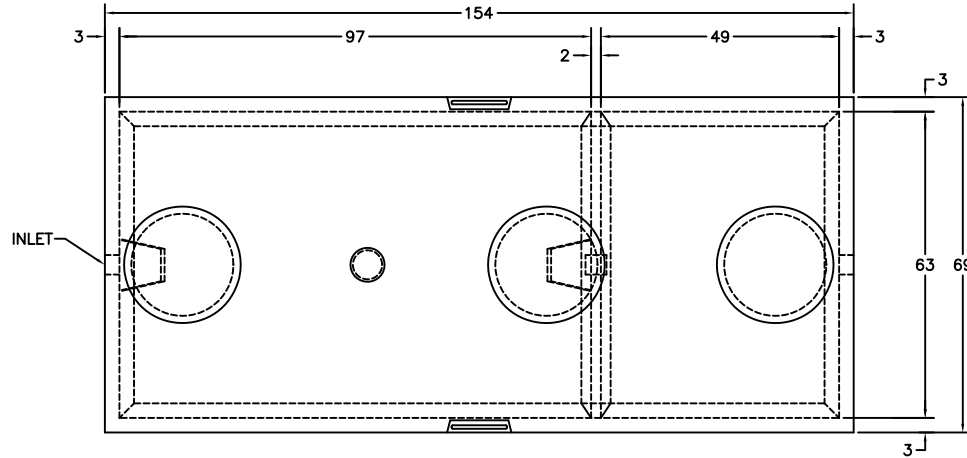


TAB. NO.	DESCRIPTION
WC001002	

REVISIONS					
REV	EDD NO.	DESCRIPTION	DRN.	DATE	CHKD. APPD.



COVER: .81 CU YD CONCRETE  
3,299 LBS.

TANK: 1.62 CU YD CONCRETE  
6,589 LBS.

HIGH DENSITY  
POLYETHYLENE BAFFLE  
LOCATE AS REQUIRED

MATERIAL:	REDROCK PRECAST				
<small>REDROCK PRECAST THIS DRAWING CONTAINS CONFIDENTIAL AND PROPRIETARY INFORMATION OF R.P.I. NOT TO BE USED BY OR DISCLOSED TO ANY OTHER INDIVIDUAL OR LEGAL ENTITY WITHOUT APPROVATION OF A REPRESENTATIVE OF R.P.I. ASSEMBLIES, WELDS AND FASTENERS TO BE FREE OF RUST DEBURR &amp; REMOVE ALL SHARP EDGES AND CORNERS STANDARD TOLERANCES &amp; NOTES UNLESS OTHERWISE SPECIFIED DIMENSIONS ARE IN INCHES UNSPECIFIED TOLERANCES X ± .000 ± XX ± .005 ± XXX ± .010 ± FRACTIONAL ±</small>					
GROUP	NO. 12	DATE	REV	TITLE	
GROUP	NO. 12	DATE	REV	1,000 GAL LOW-BOY 2-COMPARTMENT SEPTIC TANK	
SCALE	FULL	REF	SHT	OF	REV
SCALE	FULL	REF	SHT	OF	WC001002