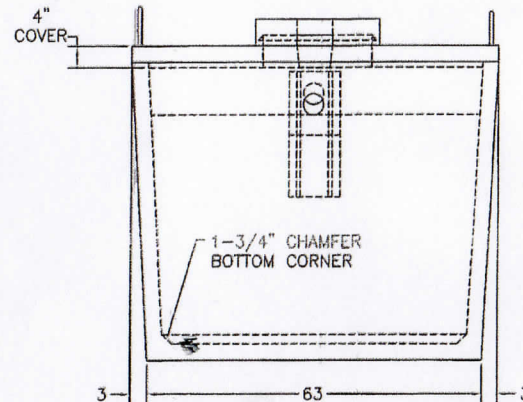
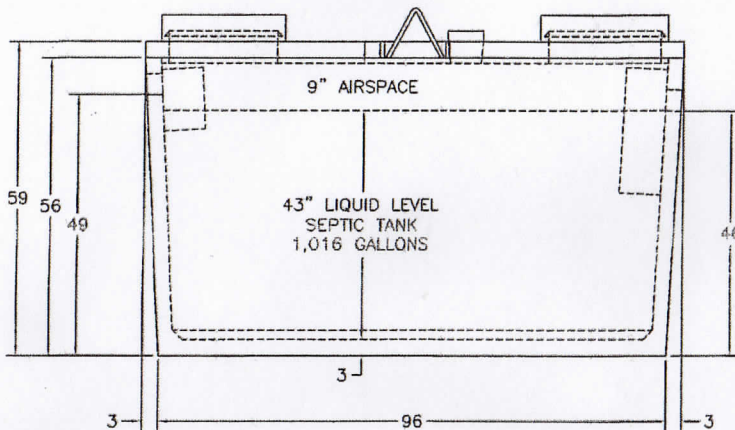
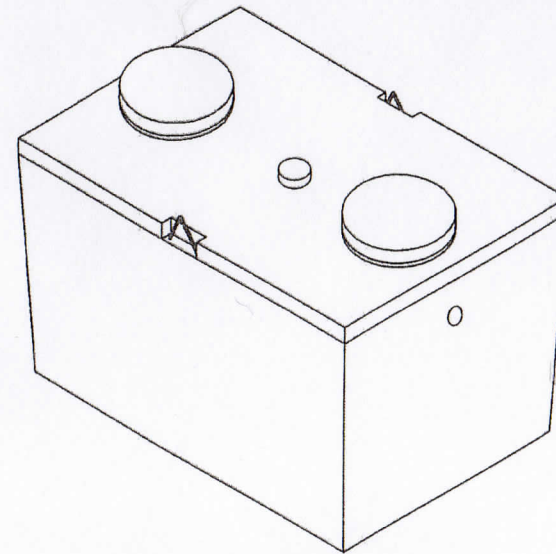


REVISIONS				
REV.	ISS. NO.	DESCRIPTION	DWG. DATE	CHKD. APPR.



COVER: .60 CU YD CONCRETE
2,430 LBS.

TANK: 1.52 CU YD CONCRETE
6,156 LBS.

HIGH DENSITY
POLYETHYLENE BAFFLE
LOCATE AS REQUIRED

MATERIAL:	REDROCK PRECAST			
<small>REDROCK PRECAST THE CUSTOMER AGREES TO HOLD REDROCK PRECAST HARMLESS FOR ANY DEFECTS OR OMISSIONS OF MATERIALS TO BE MADE BY ANY OTHER CONTRACTOR OR SUBCONTRACTOR OF ANY KIND. APPROVED FOR CONSTRUCTION AND USE BY THE CITY OF MINNAPOLIS, MINN. ON 11/12/12 DESIGNED & RELEASED ALL SHEETS CHECKED BY: RAJ DATE: 11/12/12 ISSUED BY: RAJ DATE: 11/12/12 REVISIONS: NONE UNAPPROVED TOLERANCES: DIMENSIONS: AS SHOWN SCALE: AS SHOWN DATE: 11/12/12 BY: RAJ CHECKED BY: RAJ DATE: 11/12/12 BY: RAJ</small>				
TITLE:	1,000 GALLON SEPTIC TANK		GROUP:	DO NOT SCALE DRAWING
REV:	D	WCS001201	REV:	
SCALE:	FULL		DATE:	