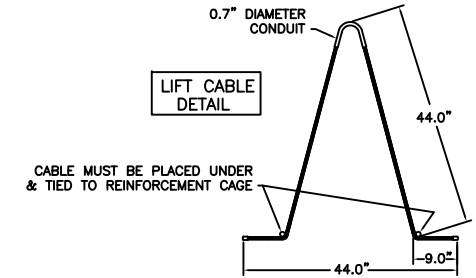
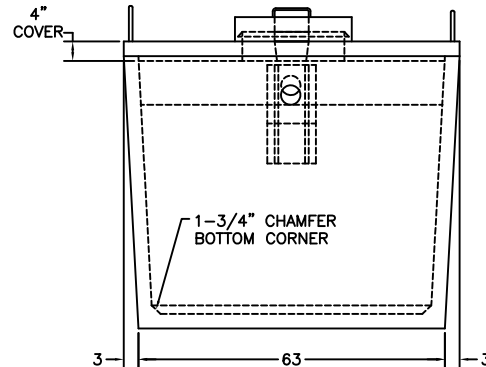
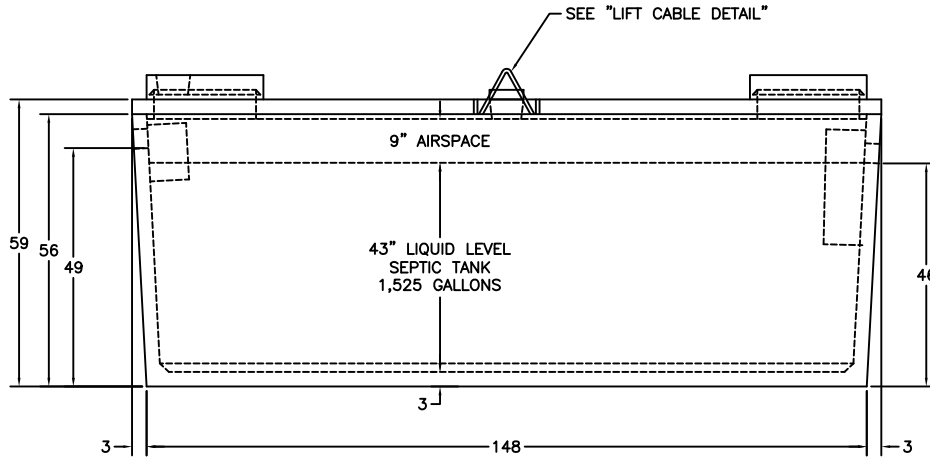
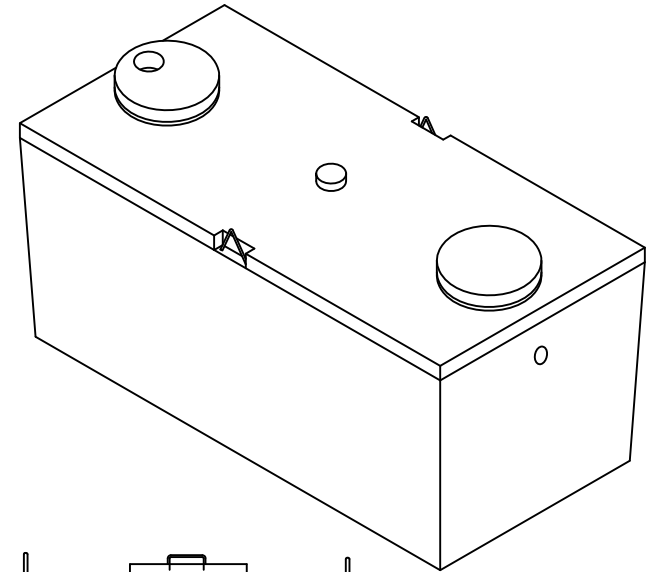
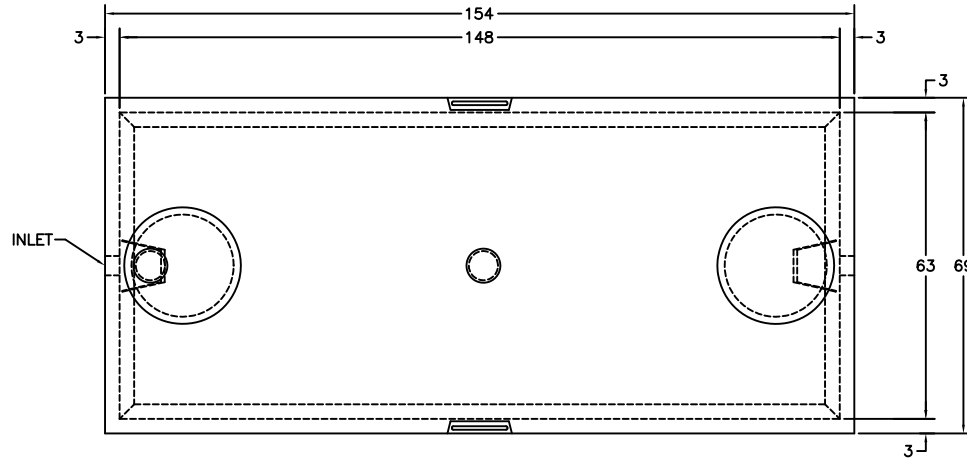


TAB. NO.	DESCRIPTION
WC001004	

REVISIONS						
REV	ECO NO.	DESCRIPTION	DRN.	DATE	CHKD.	APPD.



LIFT CABLE IS 1/2"-7 WIRE 270 GRADE PC STRAND

COVER: .81 CU YD CONCRETE
3,299 LBS.

TANK: 1.57 CU YD CONCRETE
6,354 LBS.

HIGH DENSITY
POLYETHYLENE BAFFLE
LOCATE AS REQUIRED

MATERIAL:	REDROCK PRECAST					
REDROCK PRECAST						
THIS DRAWING CONTAINS CONFIDENTIAL AND PROPRIETARY INFORMATION OF R.P.I. NOT TO BE USED BY OR DISCLOSED TO ANY OTHER INDIVIDUAL OR ENTITY WITHOUT APPROVAL OF A REPRESENTATIVE OF R.P.I.						
ASSEMBLY, WELDMENTS AND FINISH MATERIAL TO BE FREE OF RUST	ORIG.	RAJ	9/05/12	TITLE	1500 GALLON SEPTIC TANK	
DEBARR & REMOVE ALL SHARP EDGES AND CORNERS	ORIG.			GROUP	DO NOT SCALE DRAWING	
STANDARD TOLERANCES & NOTES UNLESS OTHERWISE SPECIFIED	APPD.			SCALE	FULL	
DIMENSIONS ARE IN INCHES	UNSPECIFIED TOLERANCES	FRESH		NUMBER	WC001004	REV B
X ±	± .0008			REF		SHT OF
XX ±	± .0004					
XXX ±	± .0002					
XXX ±	FRACTIONAL ±					