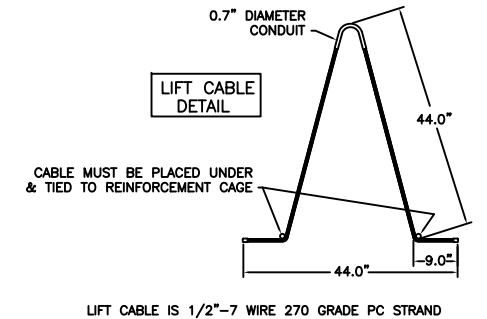
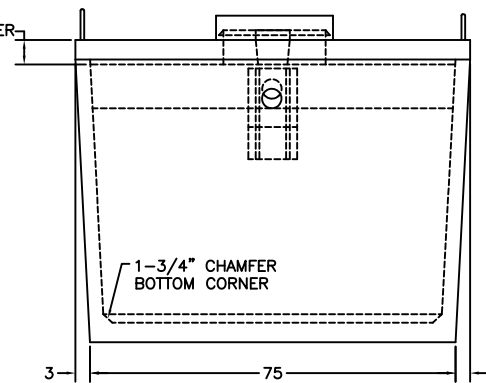
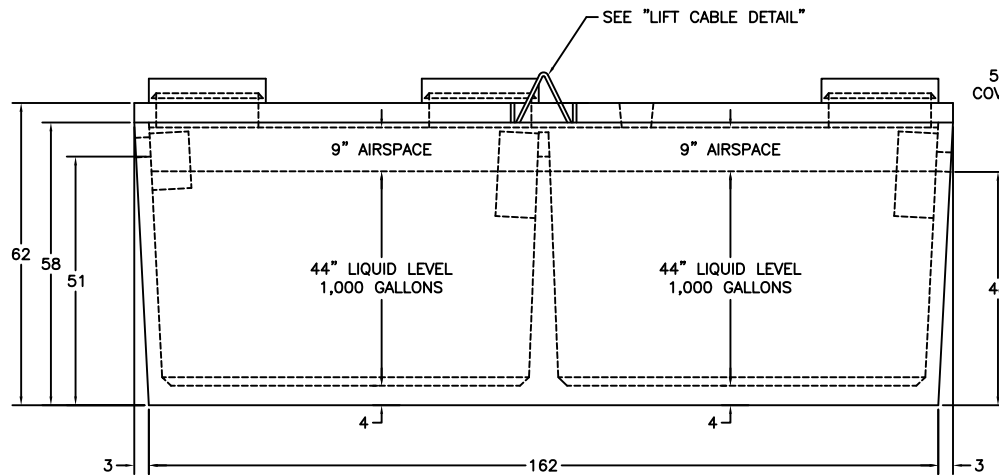
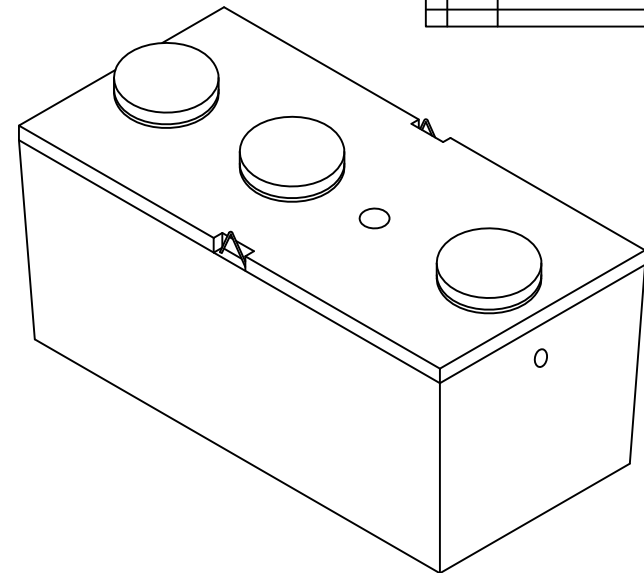


REVISIONS				
REV	ECO NO.	DESCRIPTION	DRN.	DATE



COVER: 1.41 CU YD CONCRETE
5,724 LBS.

TANK: 3.0 CU YD CONCRETE
12,050 LBS.

HIGH DENSITY
POLYETHYLENE BAFFLE
LOCATE AS REQUIRED

MATERIAL:	REDROCK PRECAST		
REDROCK PRECAST THIS DRAWING CONTAINS CONFIDENTIAL AND PROPRIETARY INFORMATION OF R.P.P. NOT TO BE USED BY OR DISCLOSED TO ANY OTHER INDIVIDUAL OR FIRM WITHOUT THE WRITTEN PERMISSION OF A REPRESENTATIVE OF R.P.P.			
ASSEMBLES, WELDMENTS AND PAINT (IND. RAJ) 1/8" / 1/2" MATERIAL TO BE FREE OF RUST DESIGNER & REMOVE ALL SWEEP EDGES AND CORNERS STANDARD TOLERANCES & NOTES UNLESS OTHERWISE SPECIFIED	APPR. WEIGHT DIMENSIONS ARE IN INCHES UNSPECIFIED TOLERANCES X # .0000 # ANGLES # JOCK # FRACTIONAL #	TITLE 2,000 GALLON SEPTIC TANK 1,000 GAL / 1,000 GAL.	GROUP DO NOT SCALE DRAWING
FINISH	SIZE NUMBER D	TITLE WC001159	REV B
SCALE FULL	REF	SHIT	OF