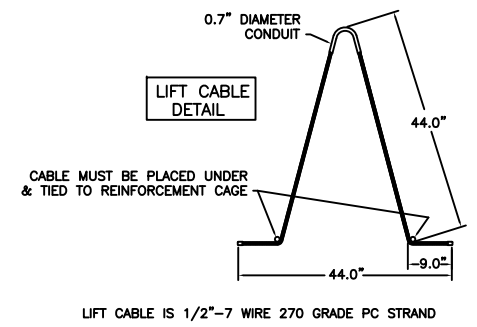
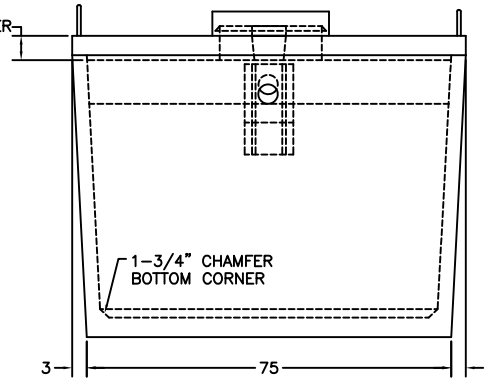
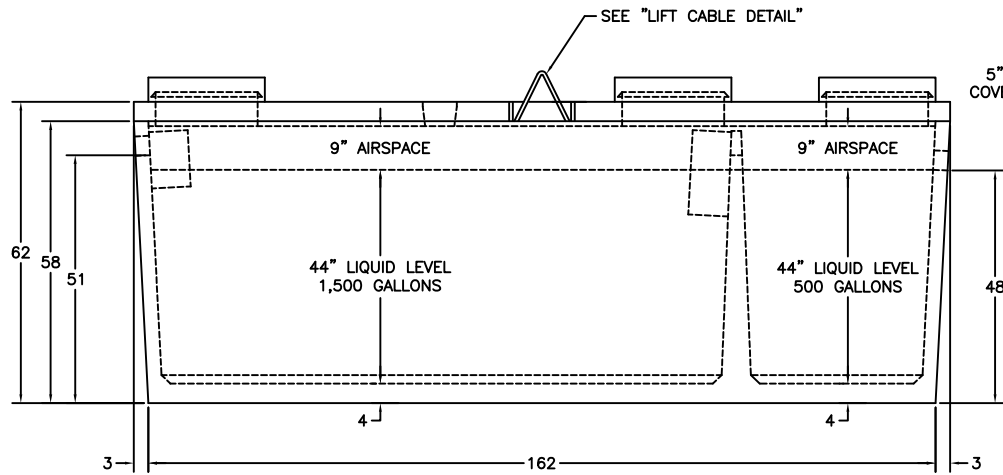
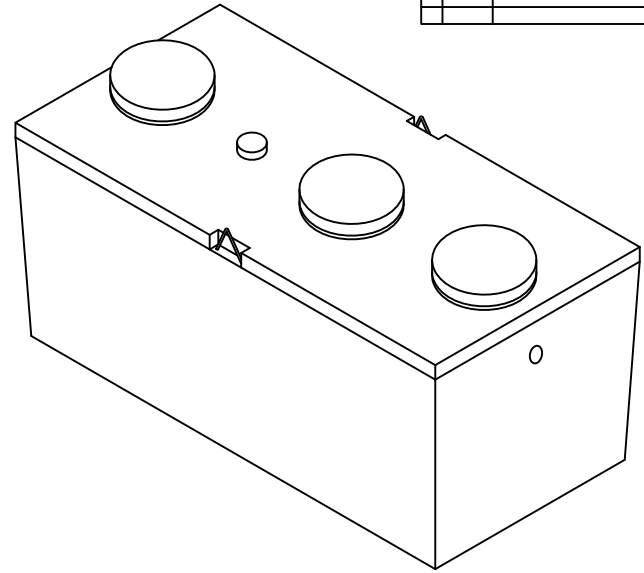
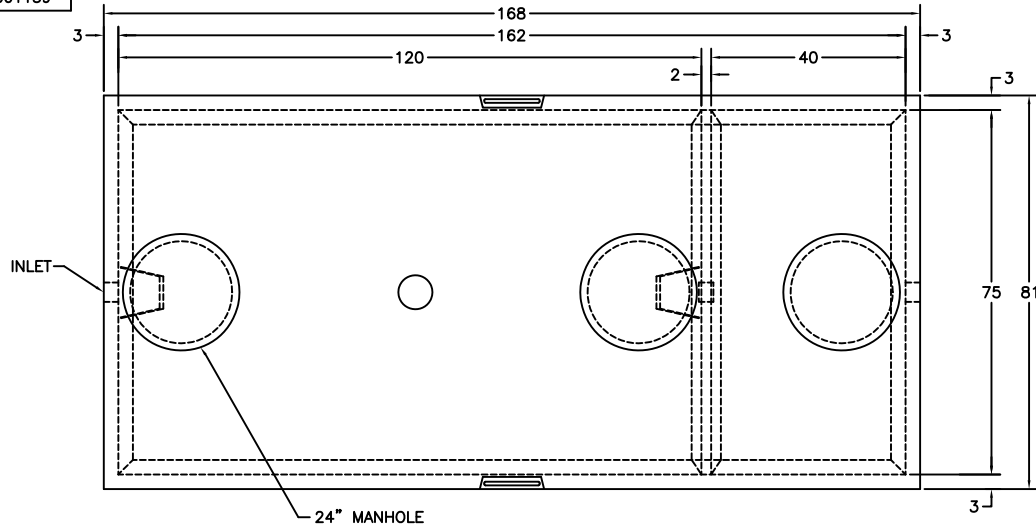


TAB. NO. DESCRIPTION		REVISIONS				
WC001159		REV	EDD NO.	DESCRIPTION	ORIG. DATE	CHG. APPR.



COVER: 1.41 CU YD CONCRETE
5,724 LBS.

TANK: 3.0 CU YD CONCRETE
12,050 LBS.

HIGH DENSITY
POLYETHYLENE BAFFLE
LOCATE AS REQUIRED

MATERIAL: REDROCK PRECAST		TITLE: 2,000 GALLON SEPTIC TANK 1,500 GAL / 500 GAL.	
<small>REDROCK PRECAST THIS DRAWING CONTAINS CONFIDENTIAL AND PROPRIETARY INFORMATION OF R.P.I. LIST TO BE USED BY OR UNCLOSED TO ANY OTHER INDIVIDUAL OR LEGAL ENTITY WITHOUT AUTHORIZATION OF A REPRESENTATIVE OF R.P.I. ASSEMBLY, WELDMENTS AND RAW MATERIAL TO BE FREE OF RUST DESIGNER & REVIEWER ALL SHOWN EDGES AND CORNERS STANDARD TOLERANCES & NOTES UNLESS OTHERWISE SPECIFIED DIMENSIONS ARE IN INCHES UNSPECIFIED TOLERANCES X & JOK & ANGLES & FRACTIONAL &</small>			
DATE: 11/6/12	CHG. R&J	DATE: 11/6/12	APP. R&J
GROUP: DO NOT SCALE DRAWING	SIZE: NUMBER D	SCALE: FULL	REV: B
WC001159		REF	SHT OF