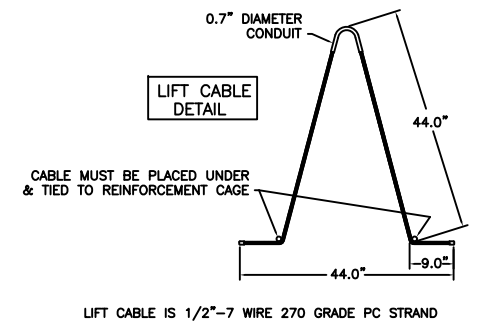
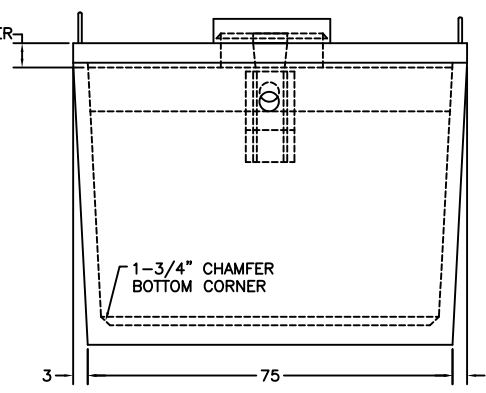
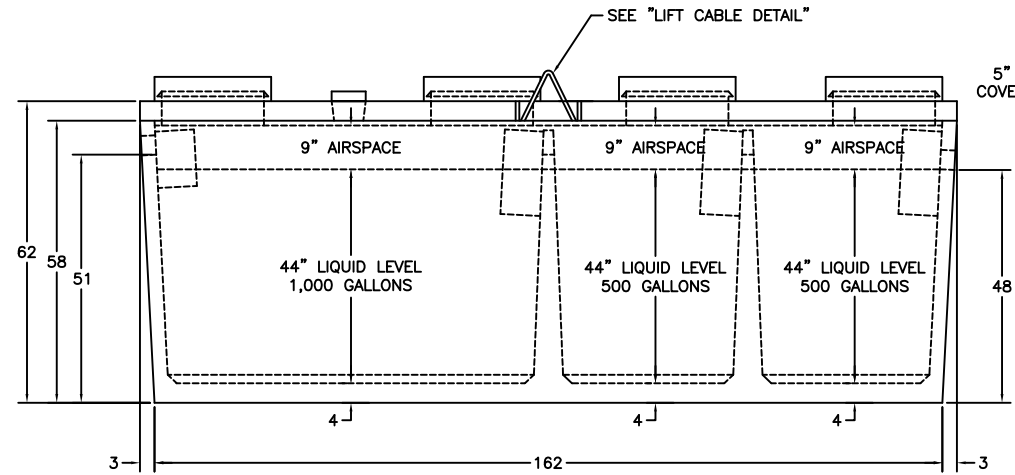
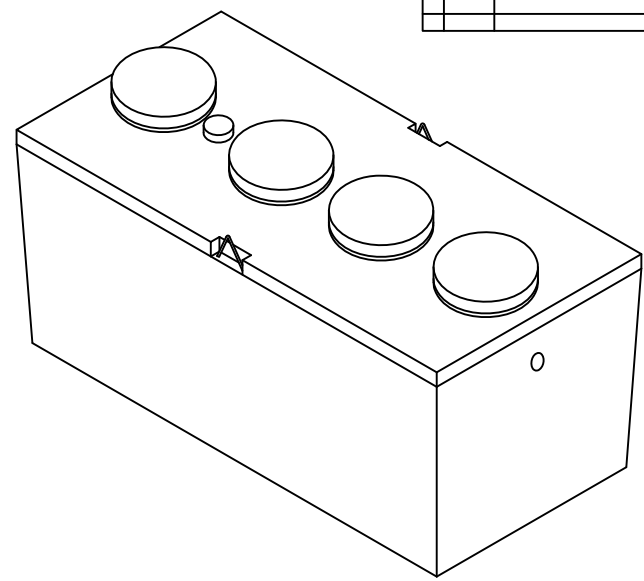


REVISIONS					
REV.	ECO. NO.	DESCRIPTION	DRW.	DATE	CHKD. APPD.



COVER: 1.41 CU YD CONCRETE  
5,724 LBS.

TANK: 3.0 CU YD CONCRETE  
12,050 LBS.

HIGH DENSITY  
POLYETHYLENE BAFFLE  
LOCATE AS REQUIRED

MATERIAL: REDROCK PRECAST		TITLE: 2,000 GALLON SEPTIC TANK 1,500 / 500 / 500 GAL.	
<small>REDROCK PRECAST THIS DRAWING CONTAINS CONFIDENTIAL AND PROPRIETARY INFORMATION OF R.P.I. NOT TO BE USED BY OR DISCLOSED TO ANY OTHER INDIVIDUAL OR LEGAL ENTITY WITHOUT AUTHORIZATION OF A REPRESENTATIVE OF R.P.I. ASSEMBLIES, WELDMENTS AND RAW MATERIAL TO BE FREE OF RUST FINISH &amp; REMOVE ALL SHARP EDGES AND CORNERS STANDARD TOLERANCES &amp; NOTES UNSPECIFIED TOLERANCES DIMENSIONS ARE IN INCHES X &amp; JOCK &amp; ANGLES &amp; JOCK &amp; FRACTIONAL &amp;</small>			
DATE: RAJ	DATE: 11/12	GROUP: DO NOT SCALE DRAWING	SCALE: FULL
SIZE: D	NUMBER: WC001159	REV: B	REF: SH: OF