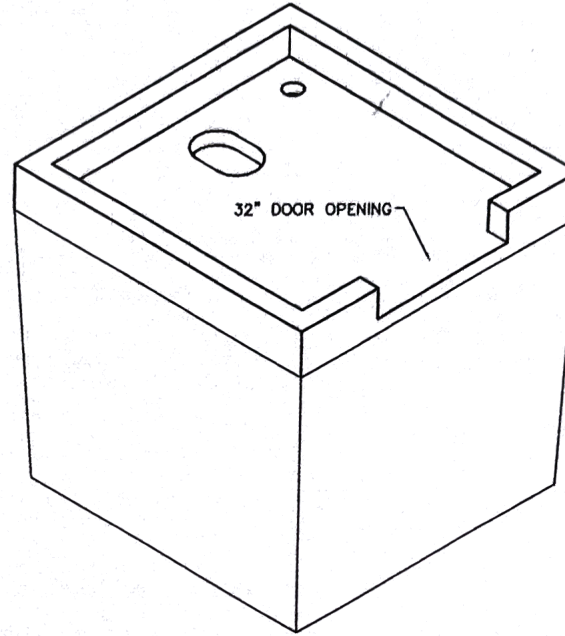
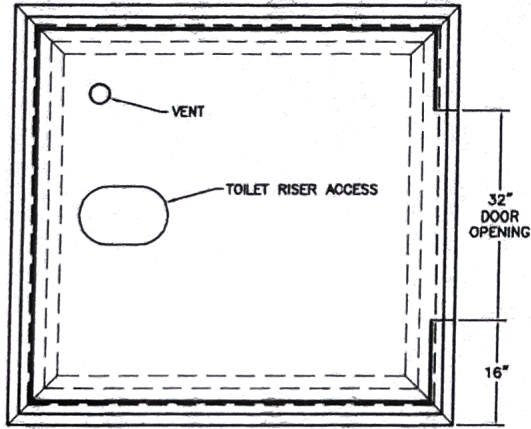


500 GALLON SANITARY VAULT

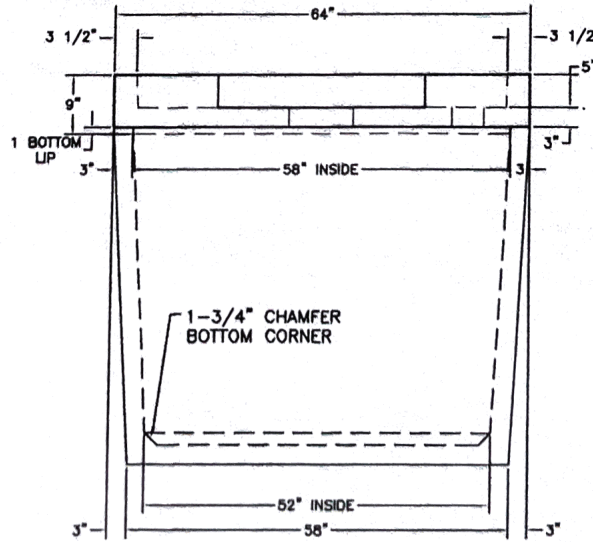
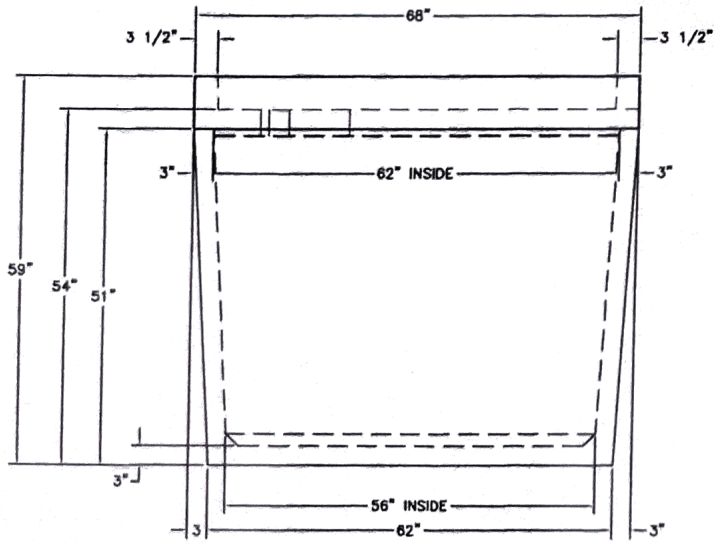
FIG. NO.	DESCRIPTION
WC001202	

REVISIONS					
REV.	BY	DATE	DESC.	APP.	DATE



COVER: .45 CU YD CONCRETE
 1,825 LBS.

TANK: 1 CU YD CONCRETE
 4,050 LBS.



MATERIAL:	REDROCK PRECAST	
<small>REDROCK PRECAST 200 SOUTH COUNTY HIGHWAY, AND PREFERRED SYSTEMS OF S.A.P. INC. IS THE OWNER OF THE PATENT RIGHTS IN THE DESIGN OF THIS PRODUCT. NO OTHER MANUFACTURER IS AT LIBERTY TO MAKE A COPY OF THIS PRODUCT OR TO USE THE NAME OF REDROCK PRECAST IN ANY MANNER WITHOUT THE WRITTEN PERMISSION OF REDROCK PRECAST. ALL RIGHTS ARE RESERVED. REDROCK PRECAST IS NOT RESPONSIBLE FOR ANY DAMAGE TO PROPERTY OR PERSONS CAUSED BY THE USE OF THIS PRODUCT. UNLESS OTHERWISE SPECIFIED, DIMENSIONS ARE IN INCHES. UNLESS OTHERWISE SPECIFIED, FINISHES ARE AS SHOWN.</small>		
<small>TITLE</small> 500 GALLON SANITARY VAULT	<small>GROUP</small> 00 000 SCALE OPENING	<small>REV</small> WC001202
<small>DATE</small> D	<small>SCALE FULL</small> 1/8" = 1'-0"	<small>BY</small> [Signature]