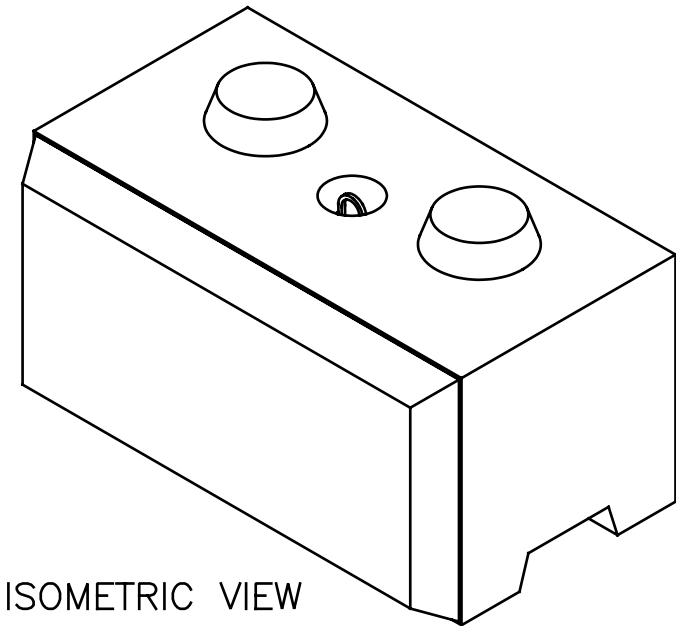
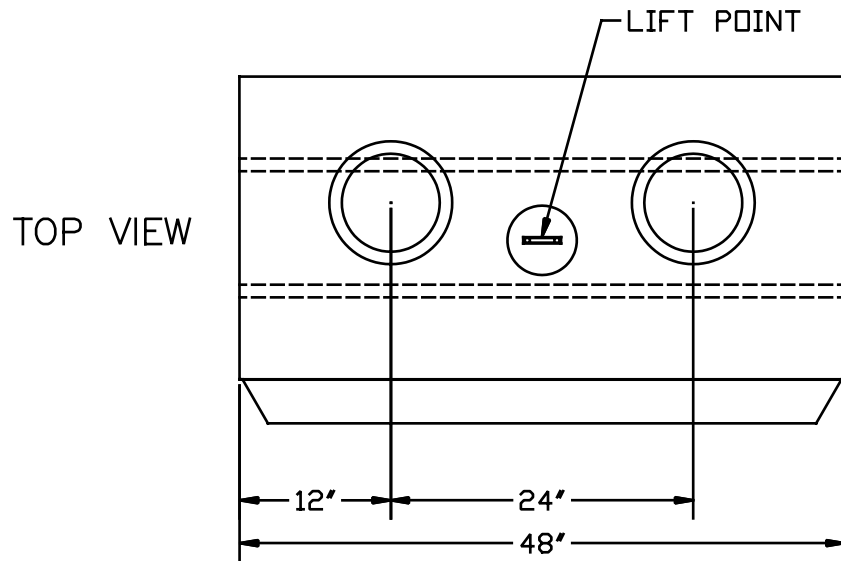


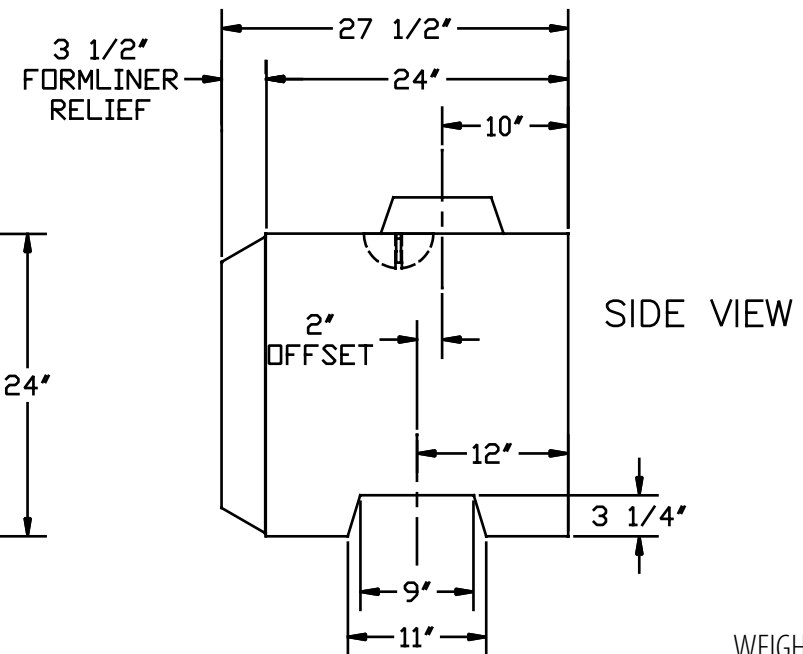
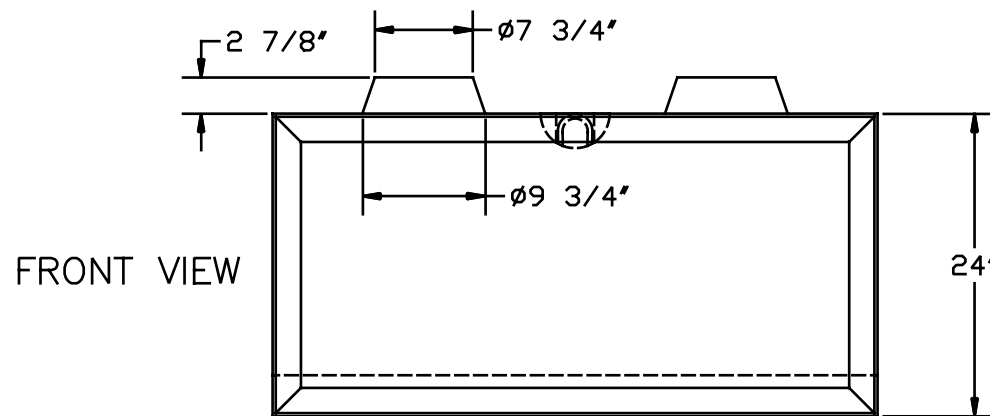


LANDSCAPE  
SPECIFICATION  
SHEETS

# LANDSCAPE FULL BLOCK - STRAIGHT ENDS

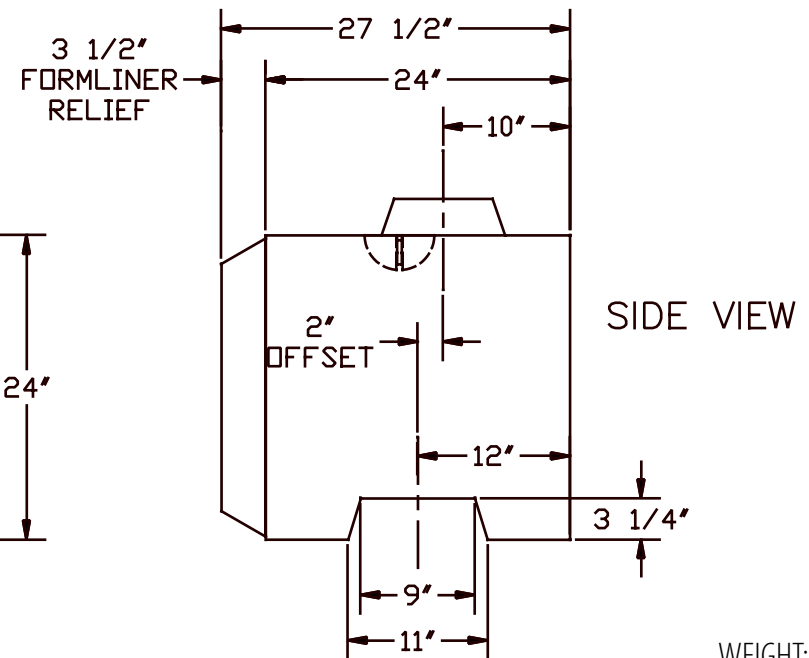
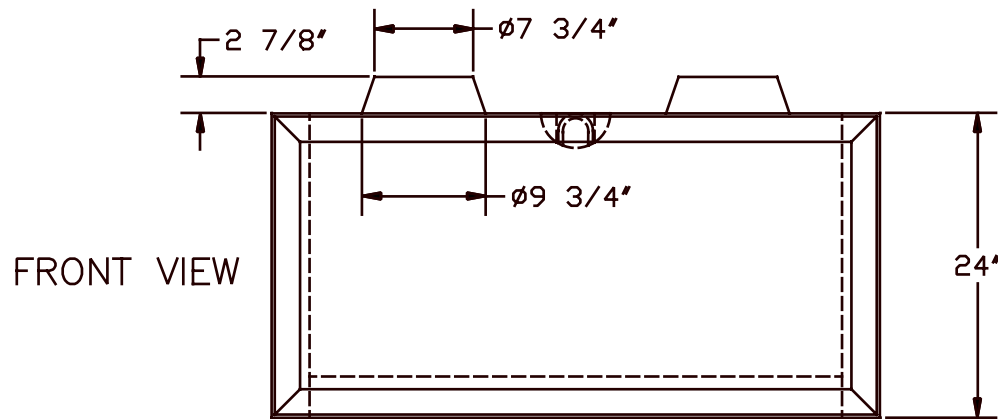
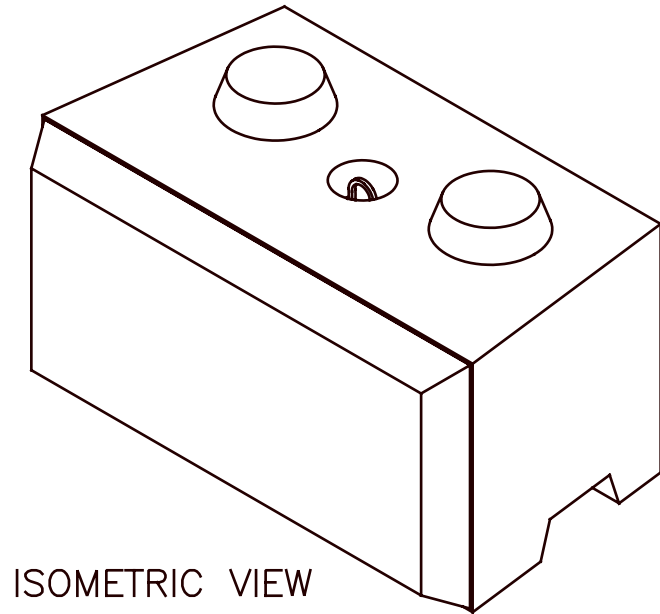
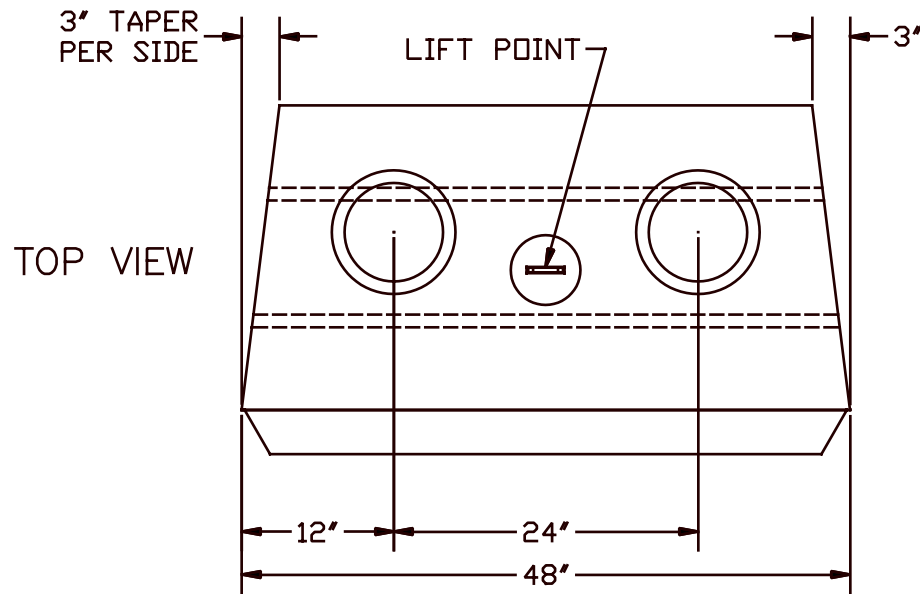


ISOMETRIC VIEW



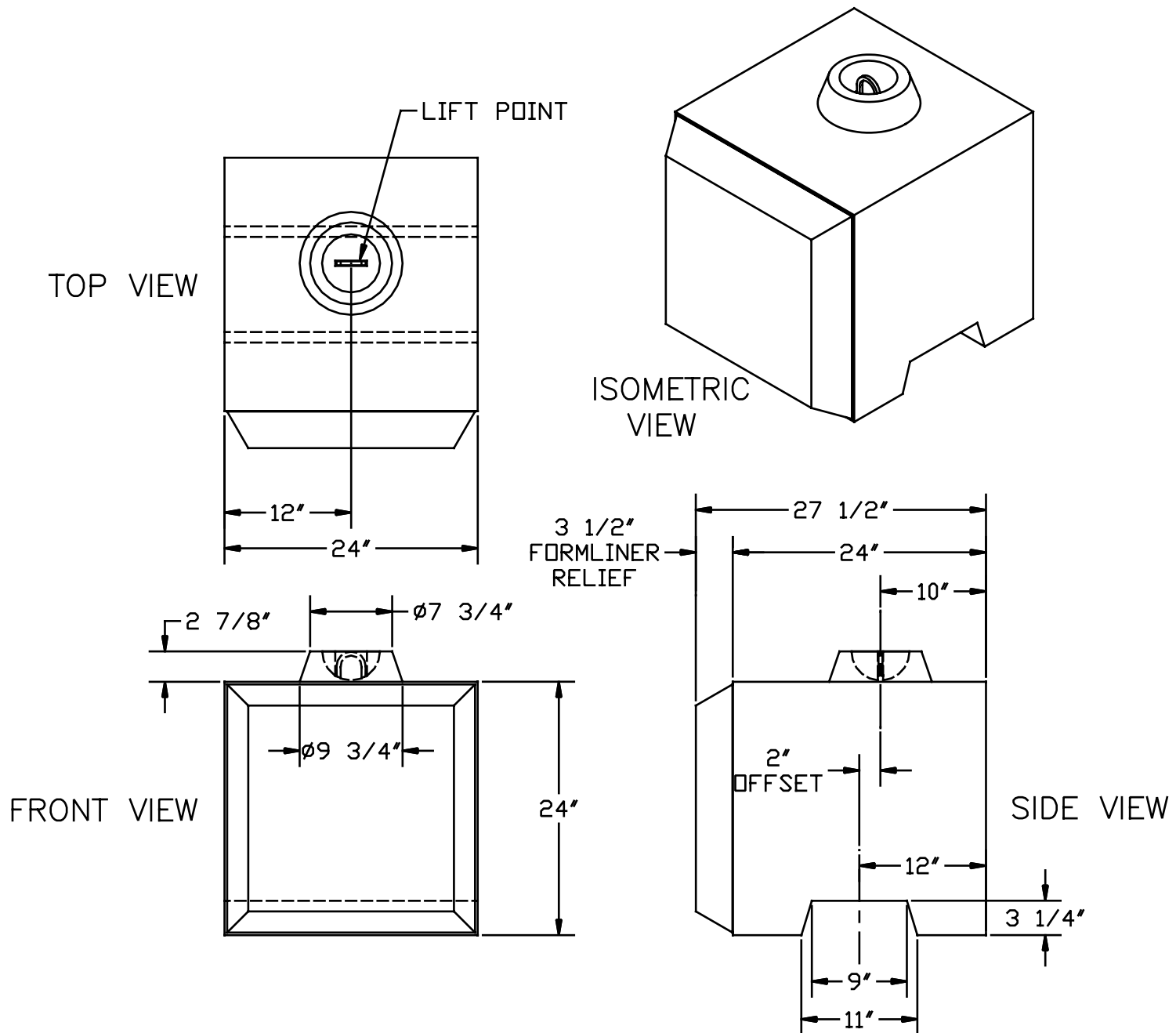
WEIGHT: 2,590 Lbs.  
VOLUME: 17.27 Cft

■ LANDSCAPE FULL BLOCK - TAPERED ENDS



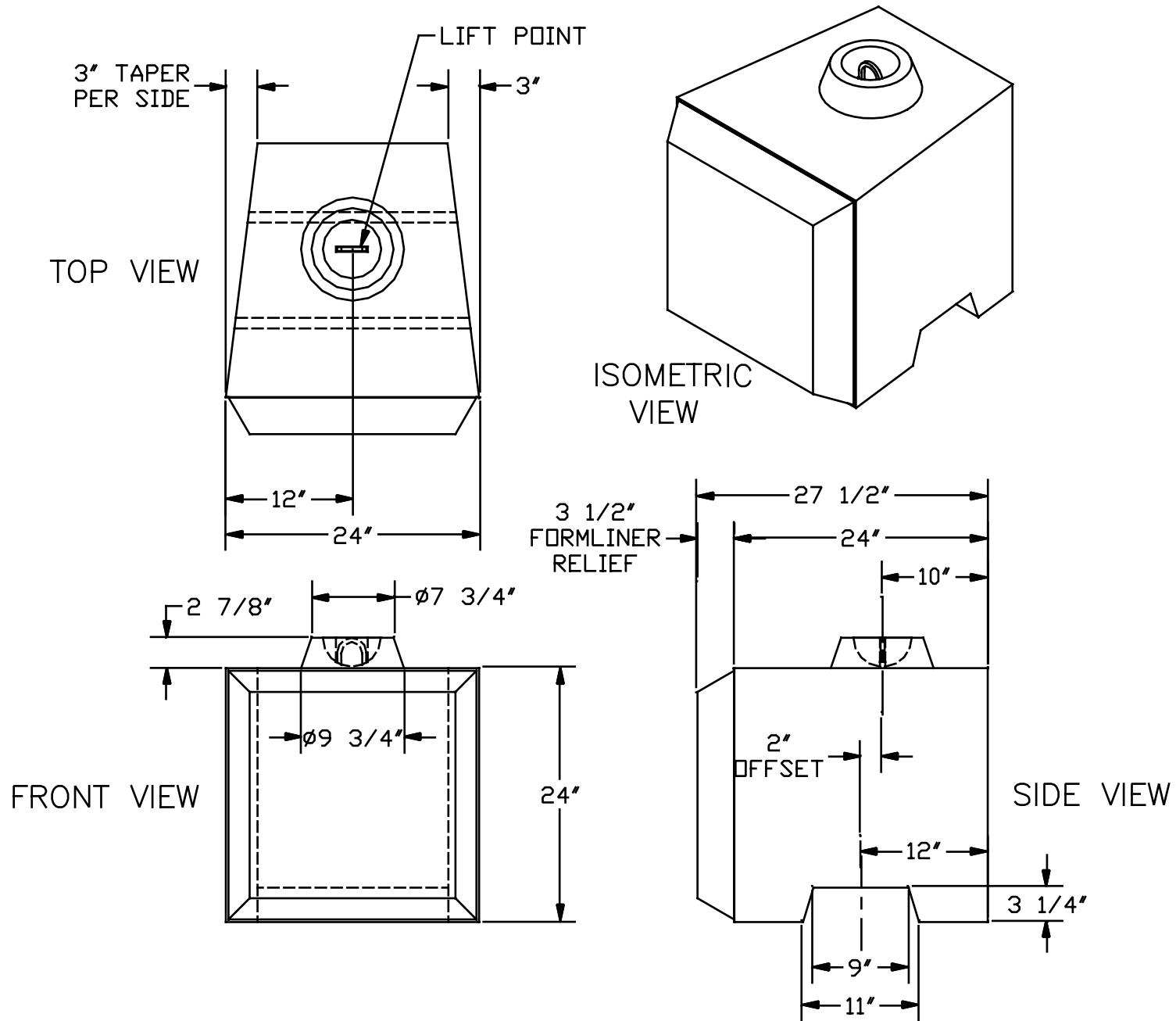
WEIGHT: 2,450 Lbs.  
VOLUME: 16.34 Cft

# LANDSCAPE HALF BLOCK - STRAIGHT ENDS



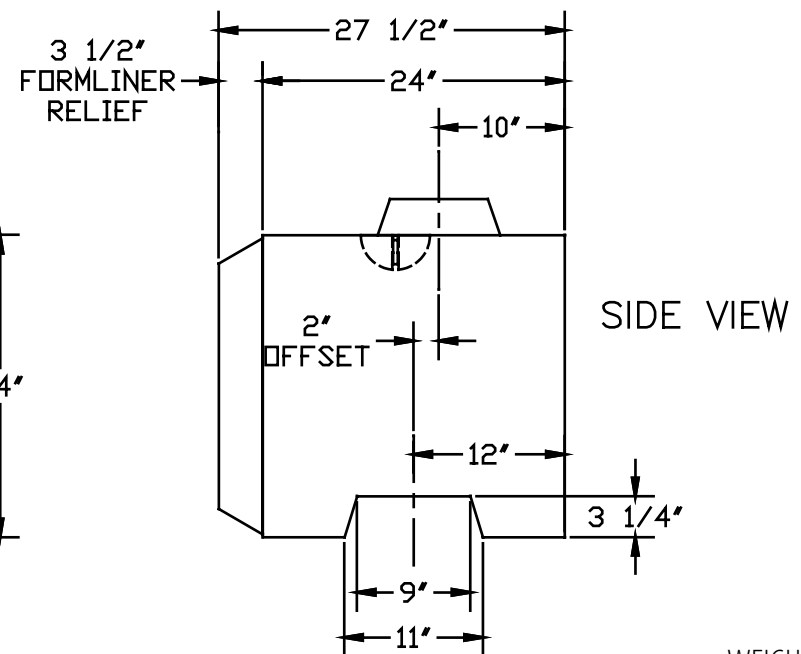
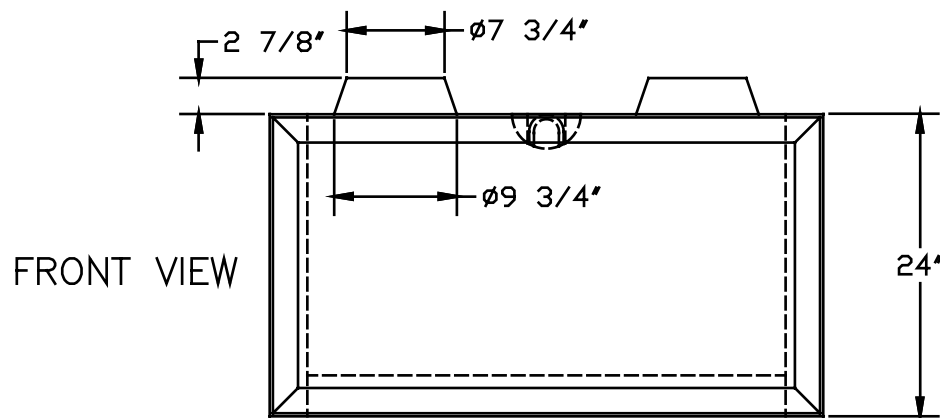
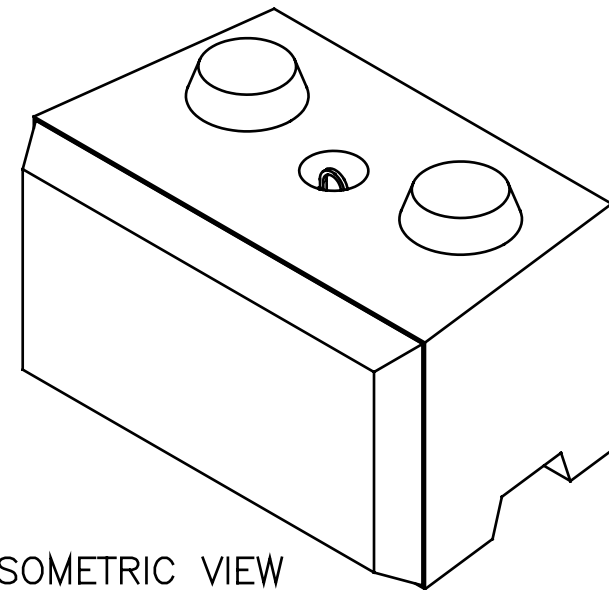
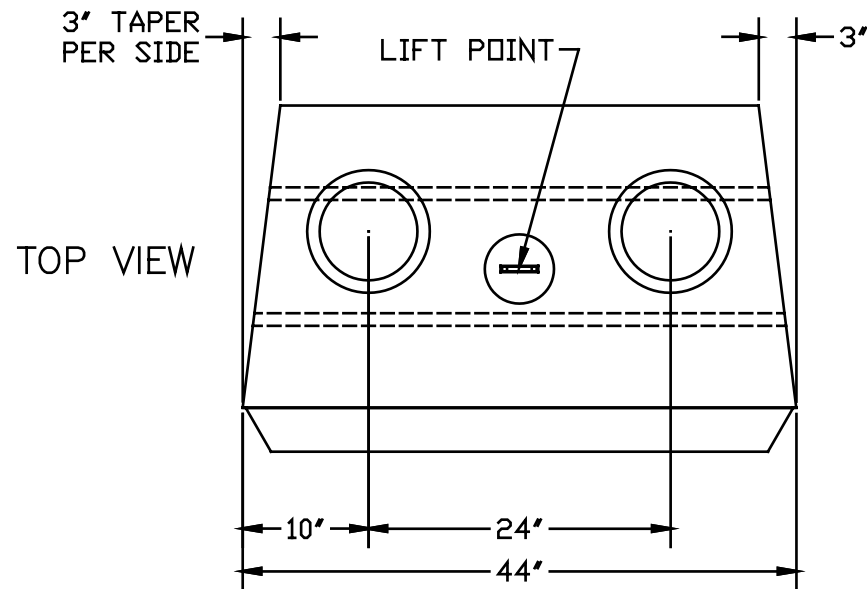
WEIGHT: 1,295 Lbs.  
VOLUME: 8.64 Cft

■ LANDSCAPE HALF BLOCK - TAPERED ENDS



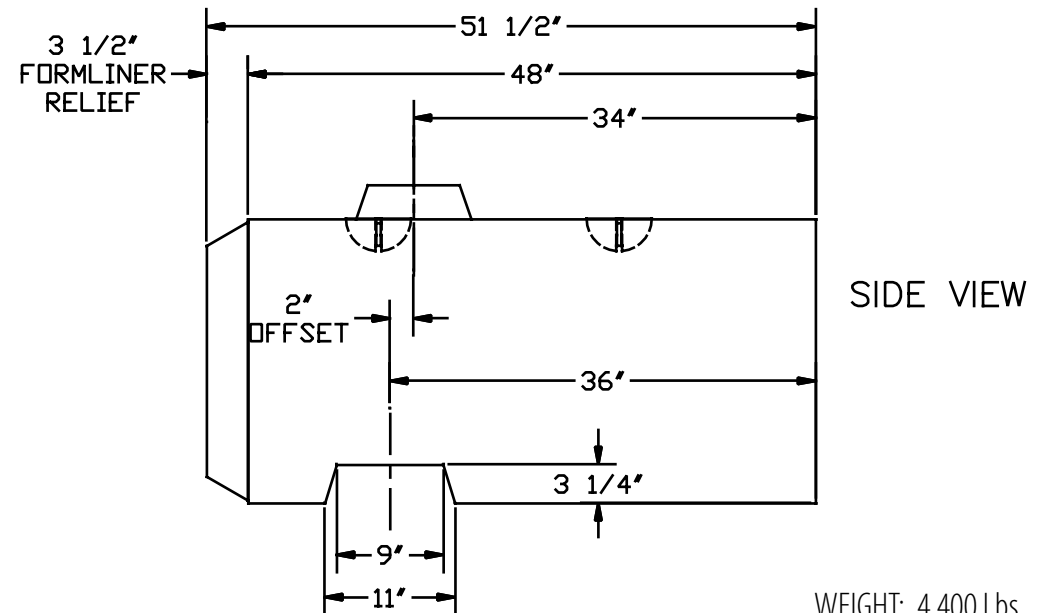
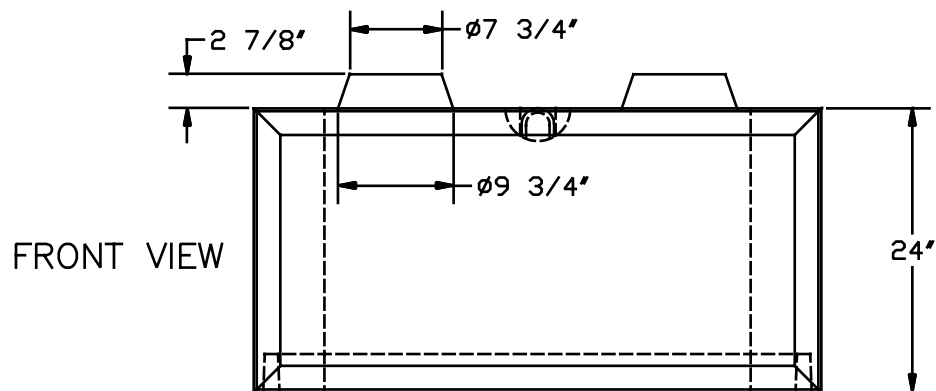
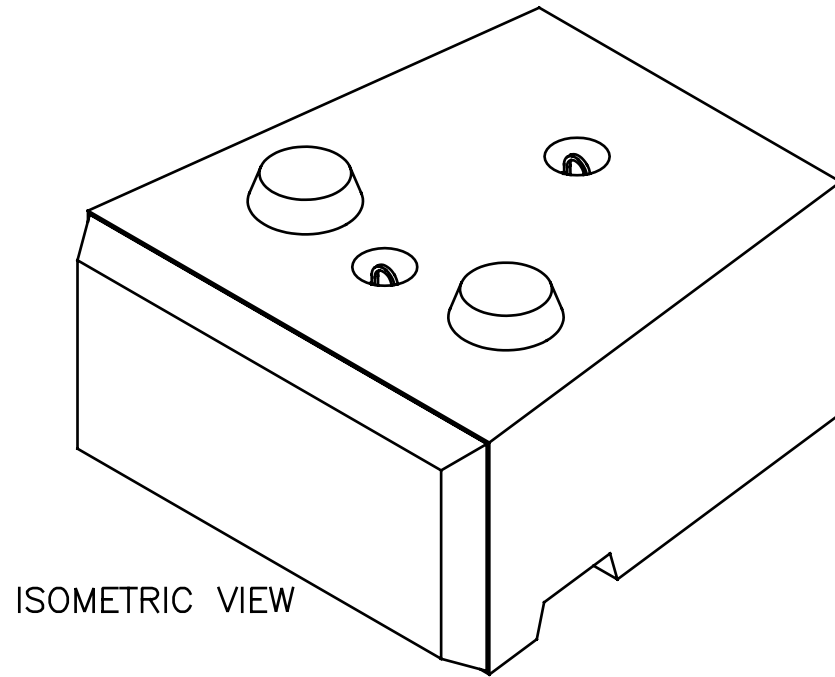
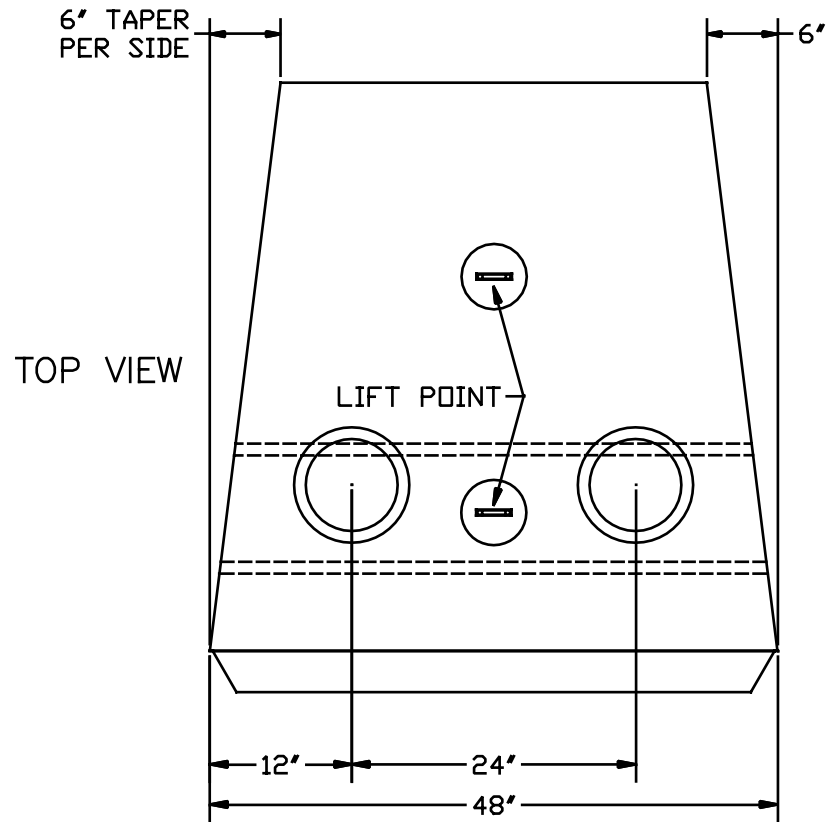
WEIGHT: 1,150 Lbs.  
VOLUME: 7.65 Cft

■ **LANDSCAPE KEY BLOCK - TAPERED ENDS**



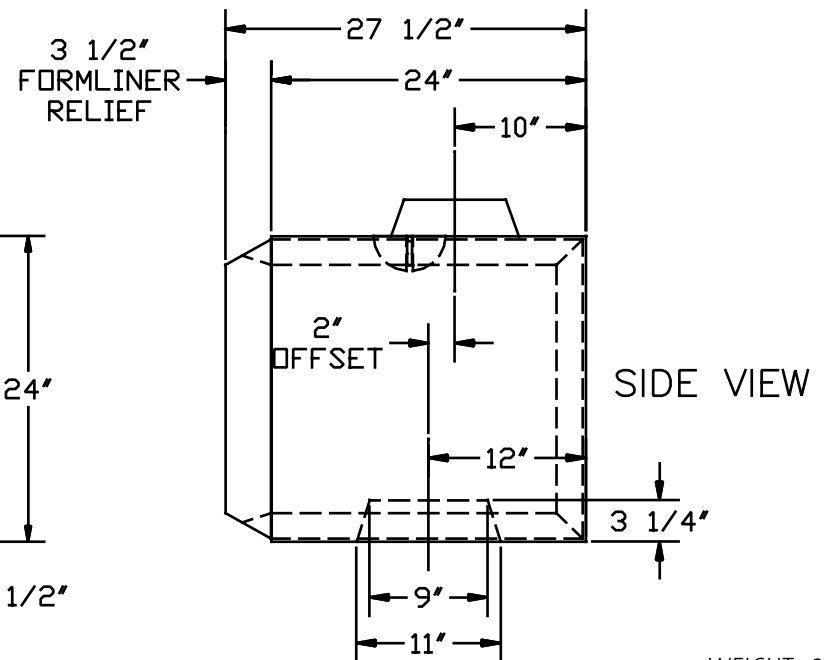
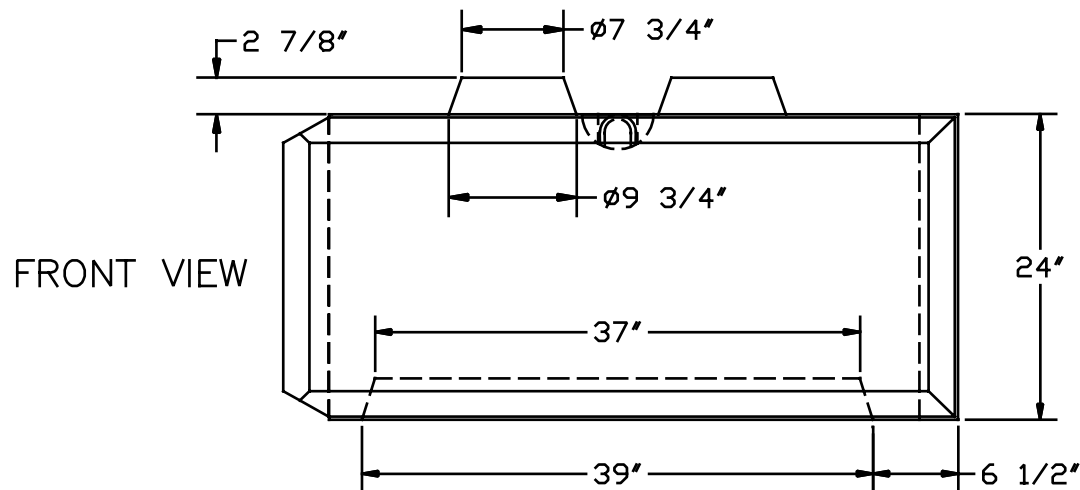
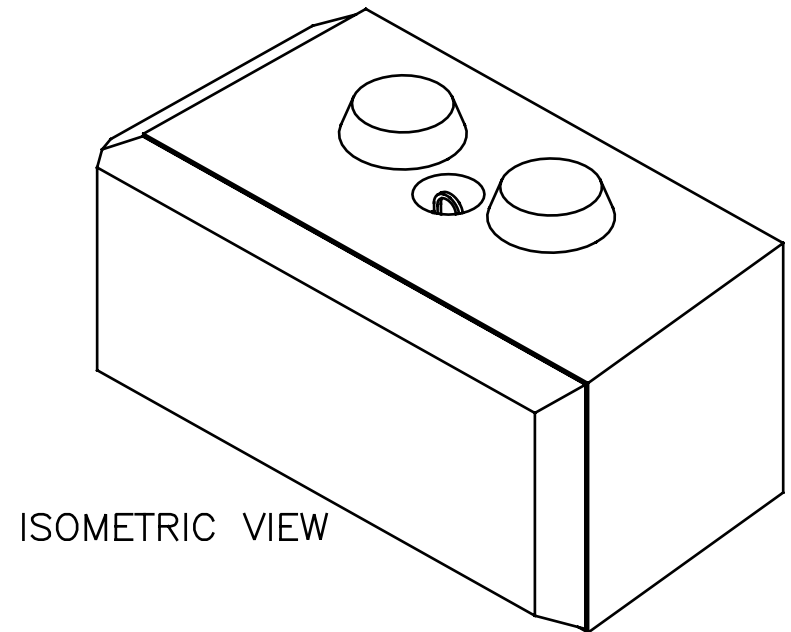
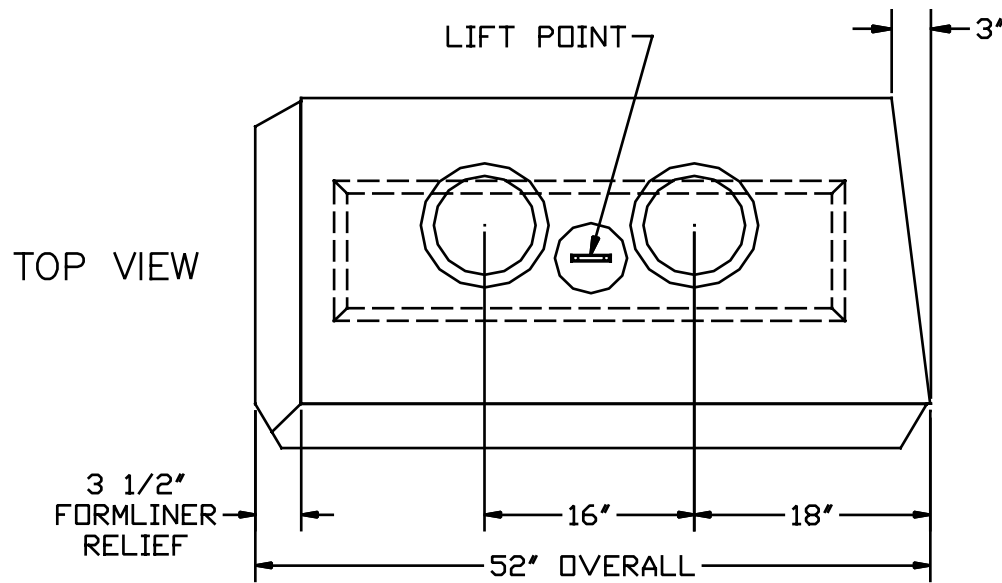
WEIGHT: 2,235 Lbs.  
VOLUME: 14.90 Cft

■ **LANDSCAPE BASE BLOCK**



WEIGHT: 4,400 Lbs.  
VOLUME: 29.33 Cft

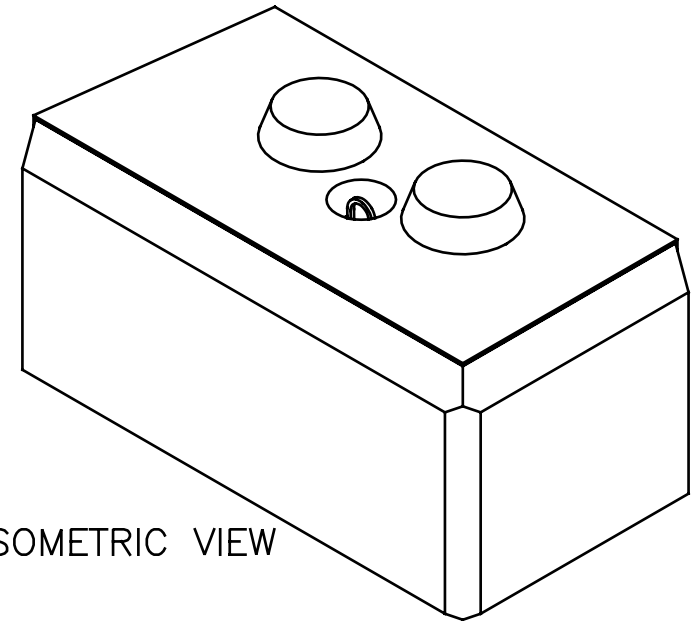
■ LANDSCAPE CORNER BLOCK - LEFT



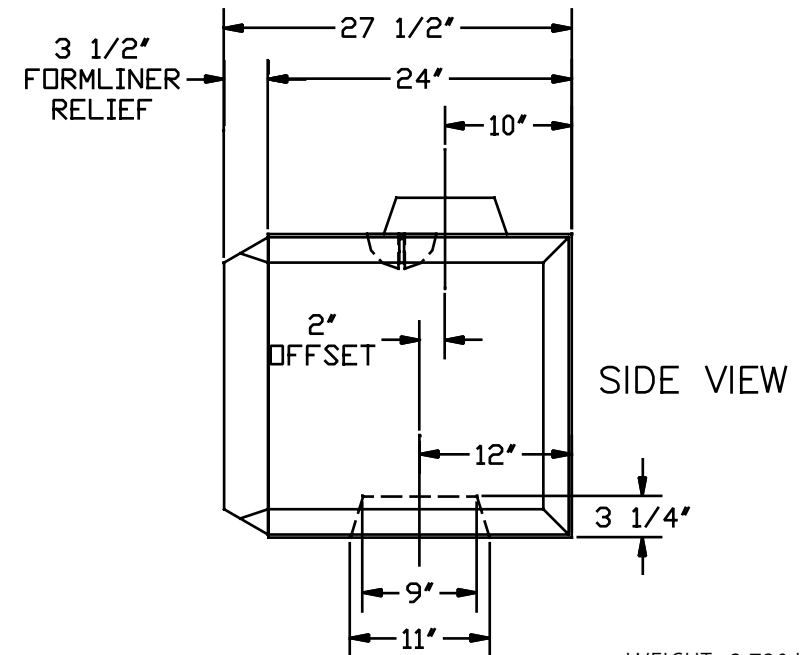
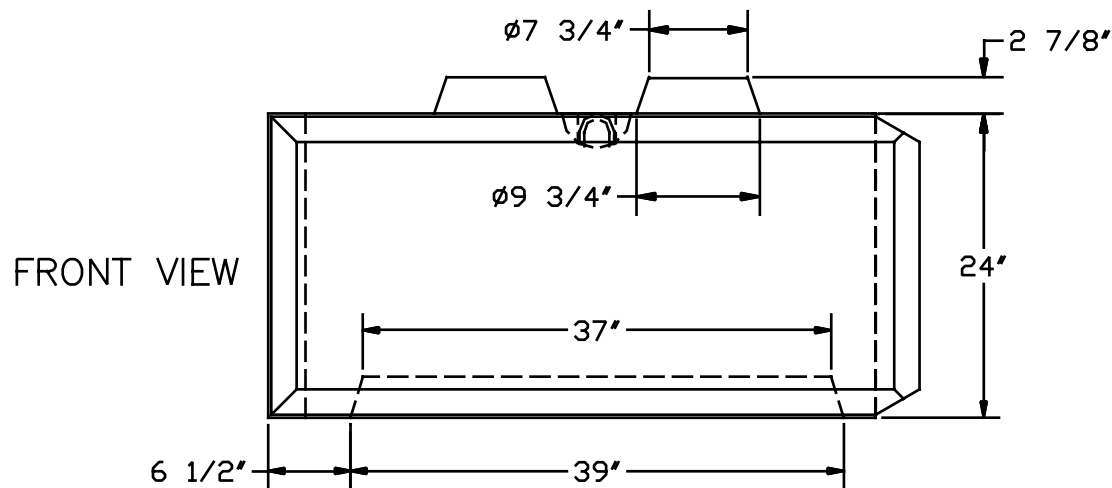
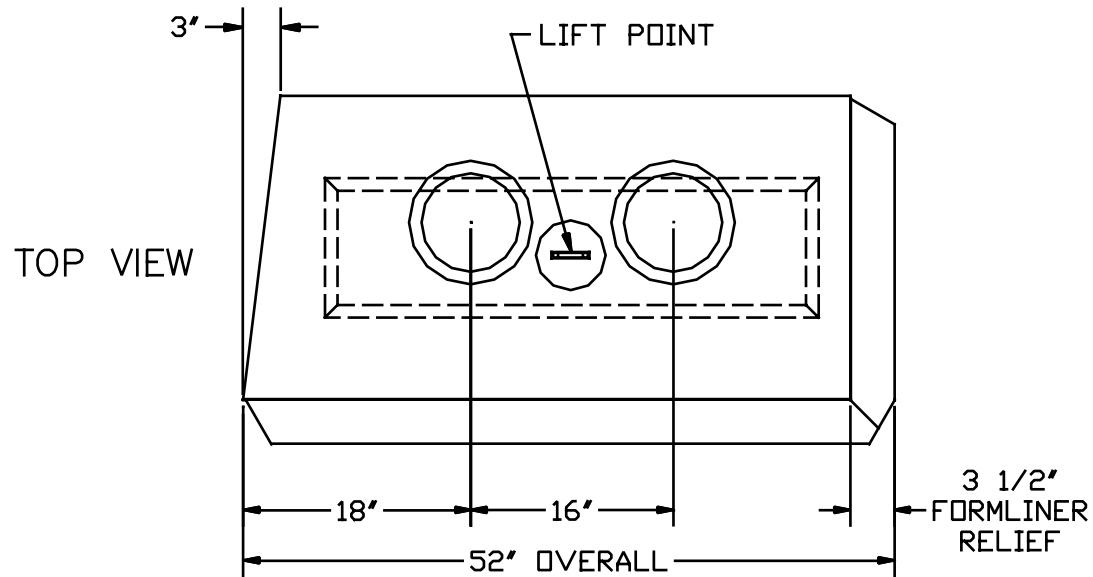
WEIGHT: 2,720 Lbs.  
VOLUME: 18.14 Cft



■ LANDSCAPE CORNER BLOCK - RIGHT

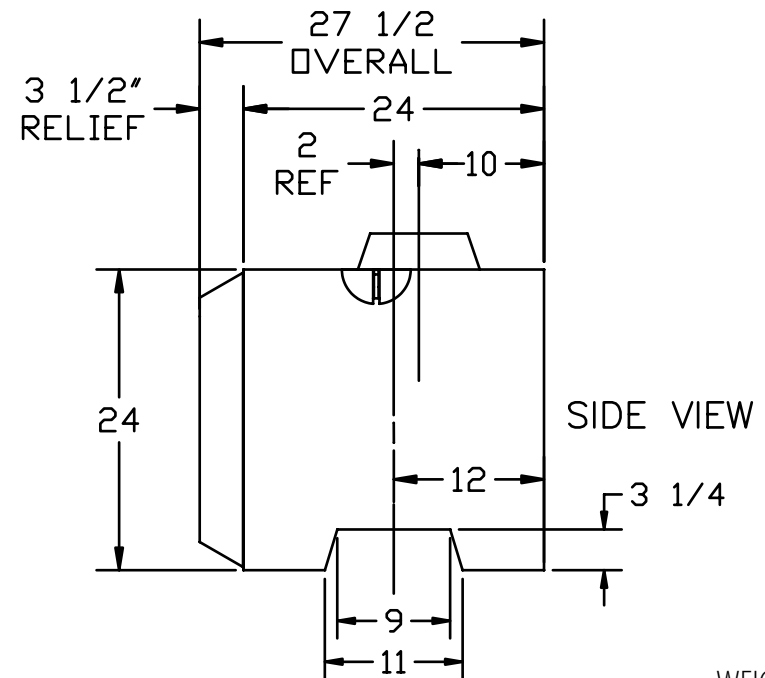
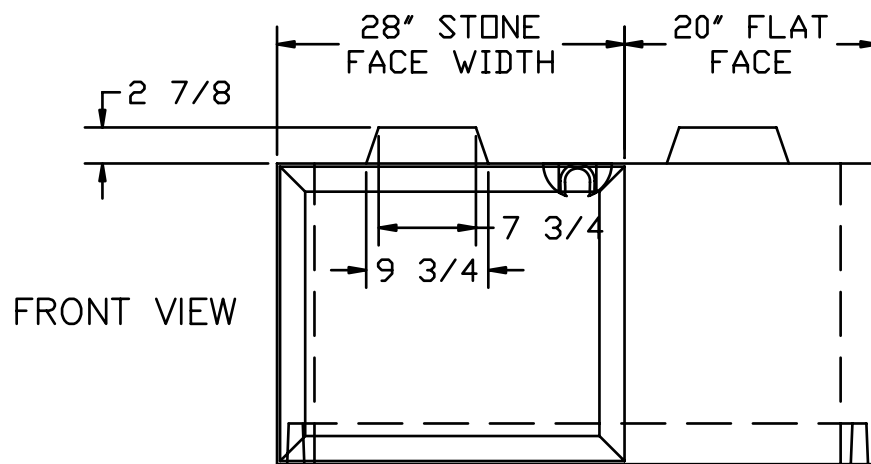
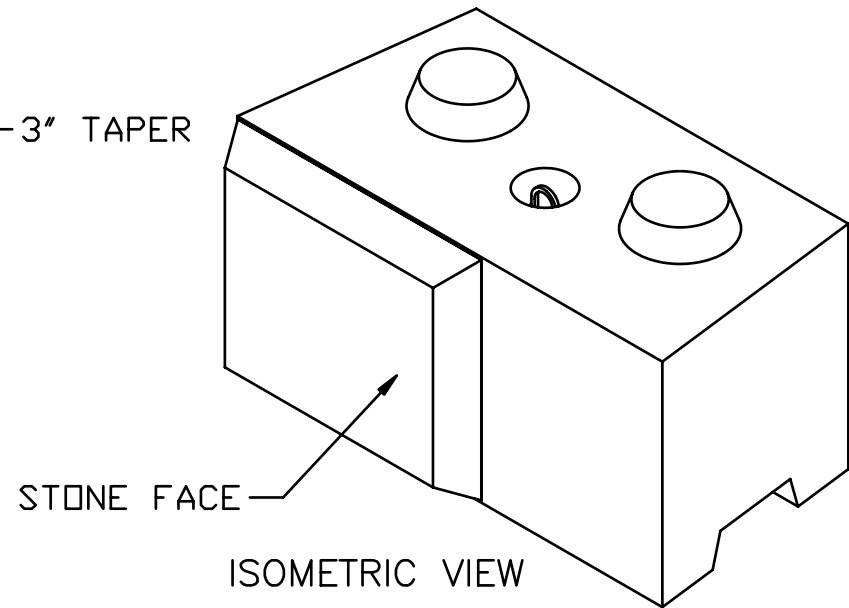
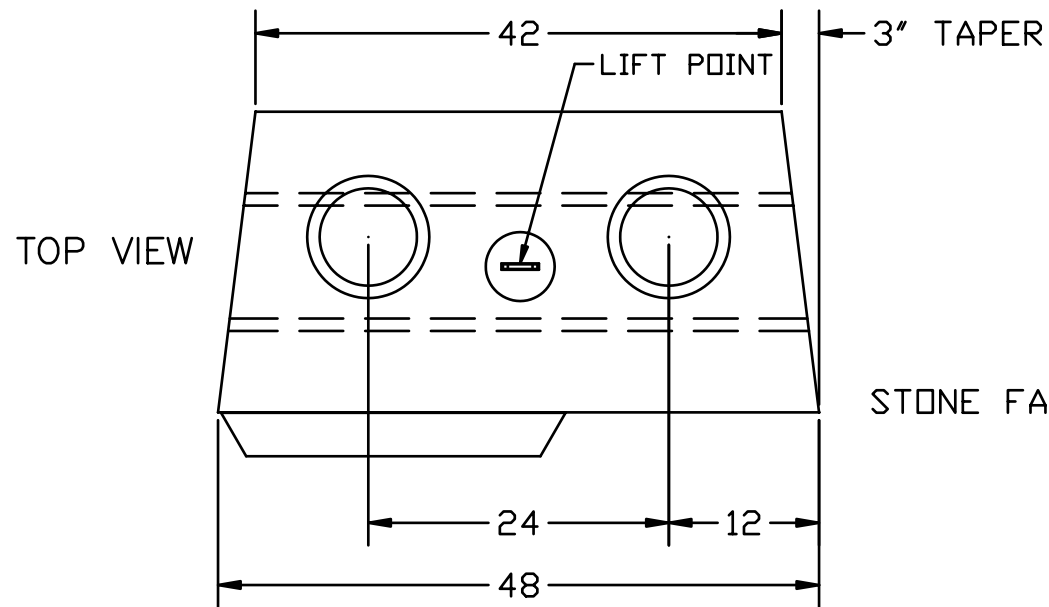


ISOMETRIC VIEW



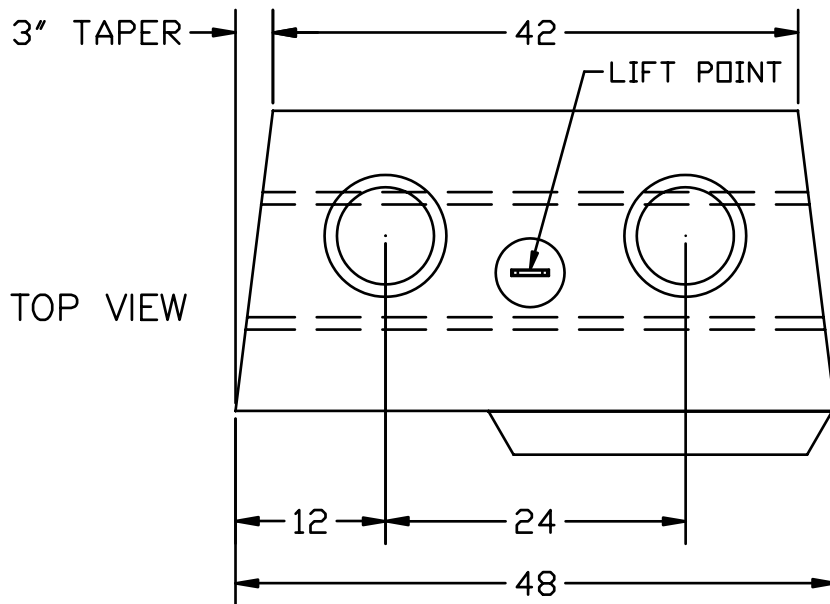
WEIGHT: 2,720 Lbs.  
VOLUME: 18.14 Cft

■ LANDSCAPE INSIDE CORNER - LEFT

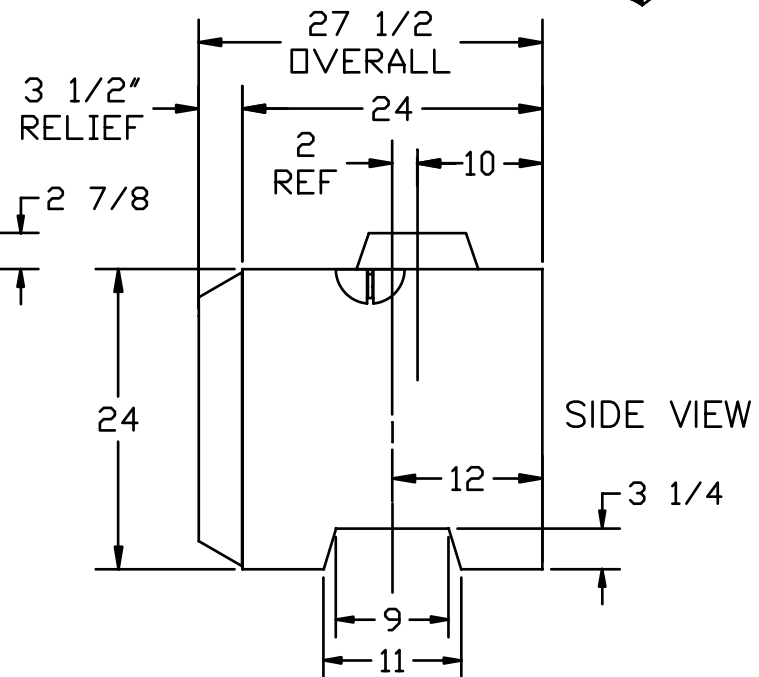
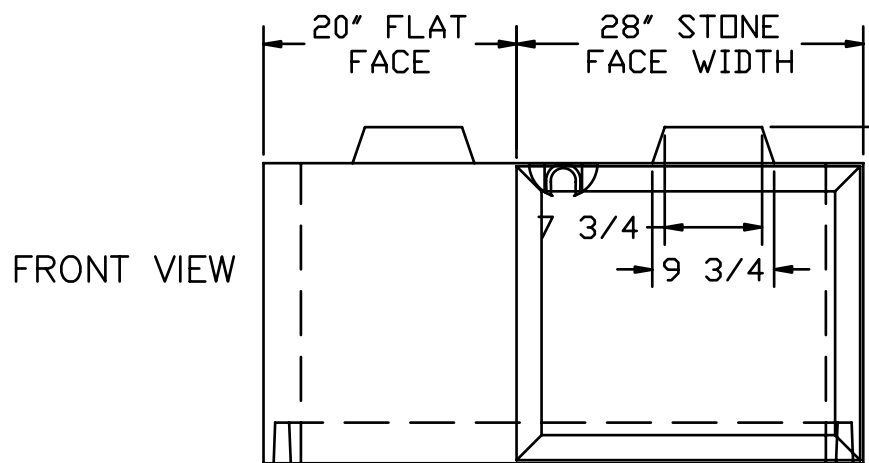
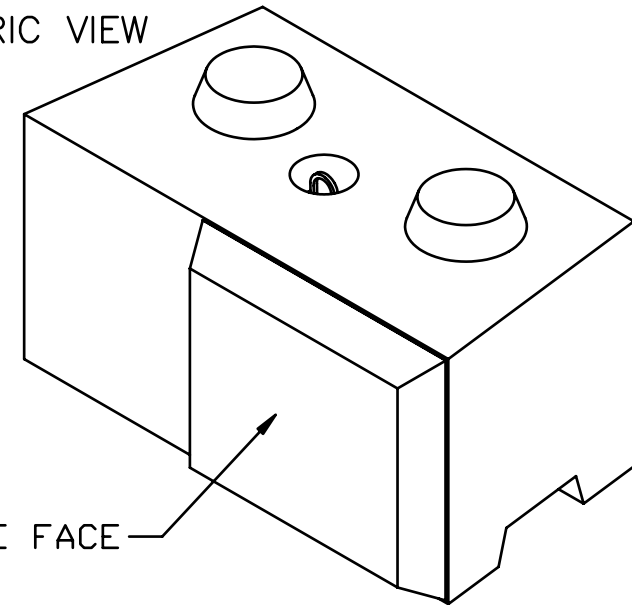


WEIGHT: 2,550 Lbs.  
VOLUME: 17.0 Cft

■ LANDSCAPE INSIDE CORNER - RIGHT

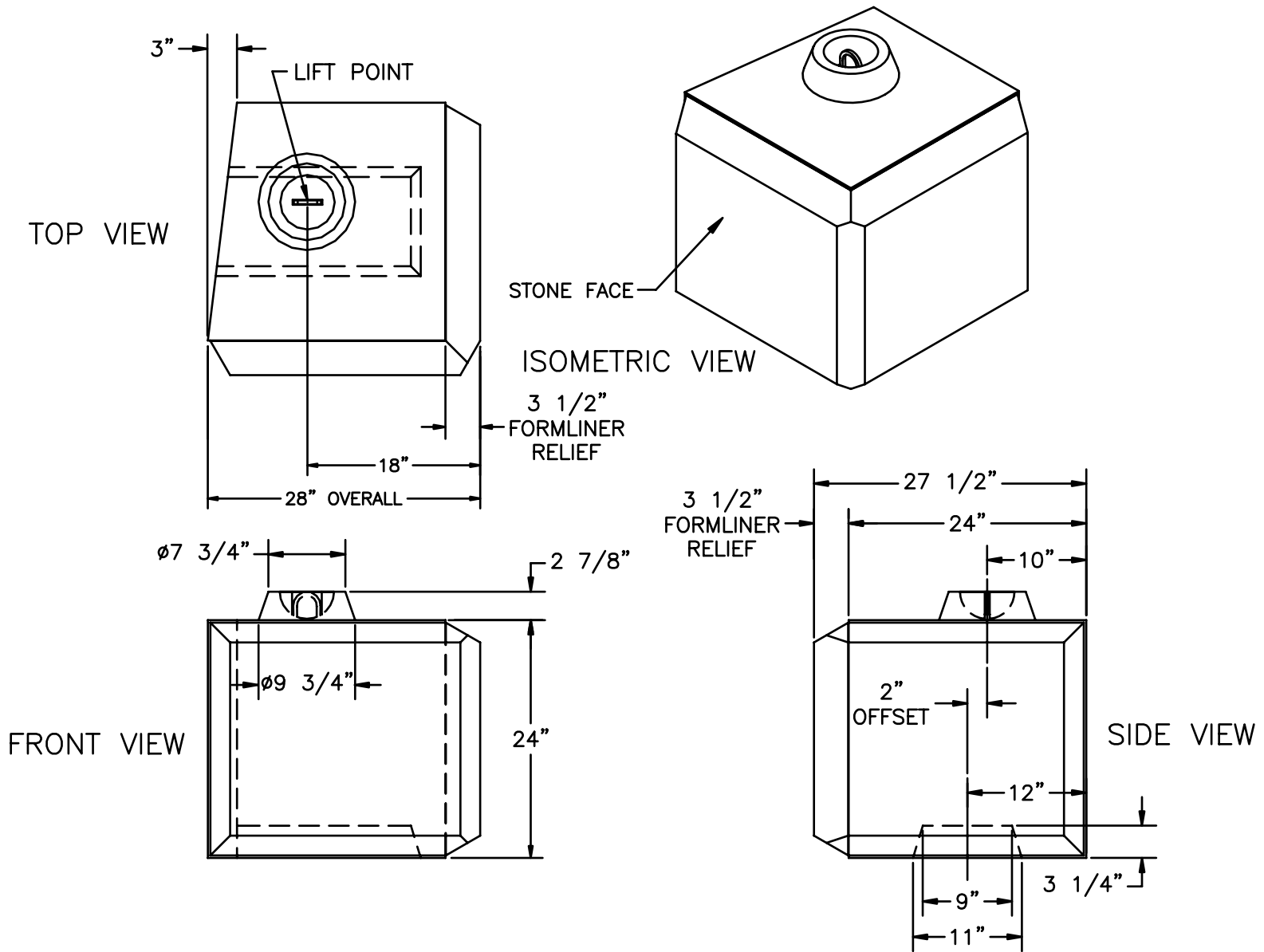


ISOMETRIC VIEW



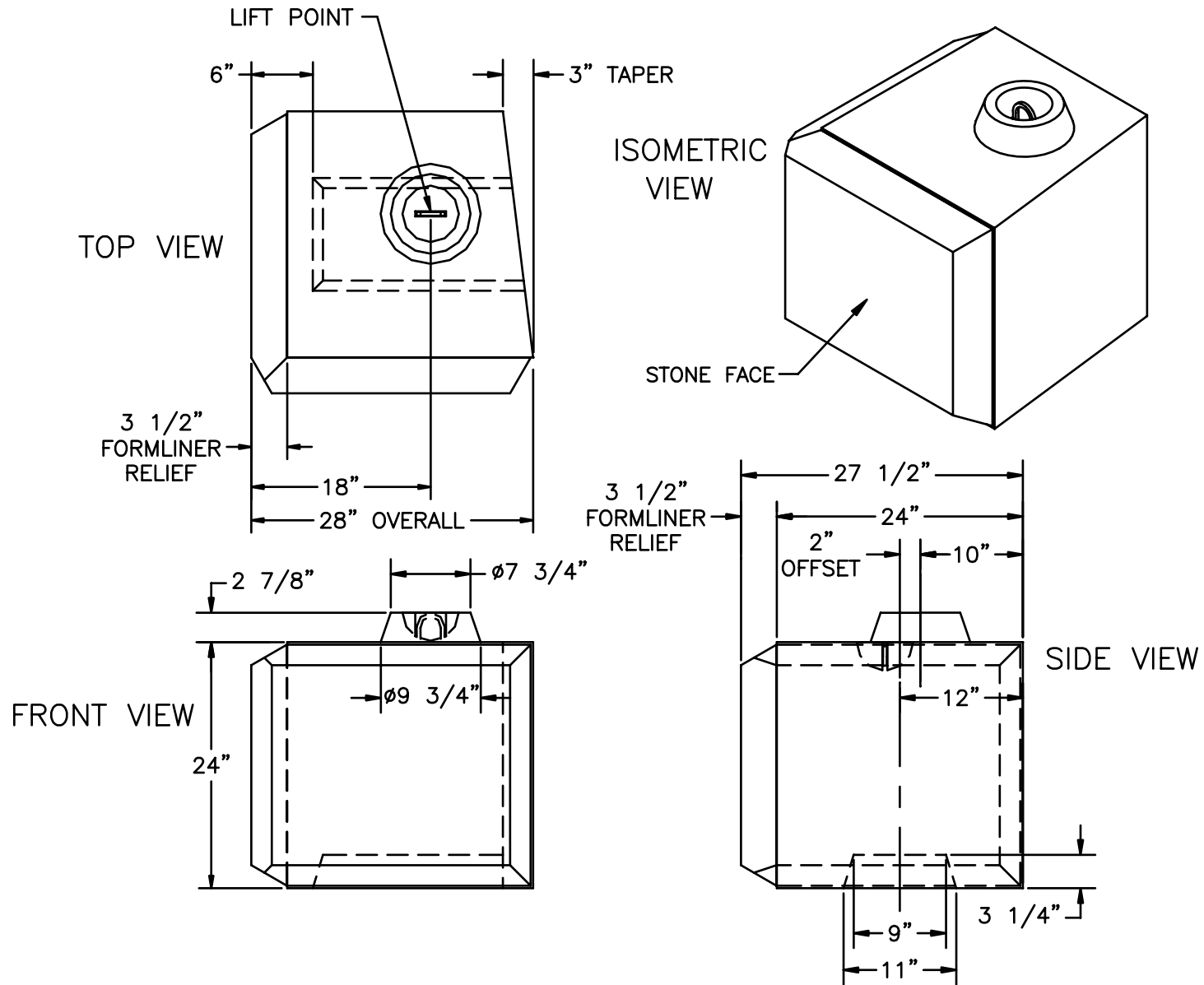
WEIGHT: 2,550 Lbs.  
VOLUME: 17.0 Cft

# LANDSCAPE HALF CORNER - RIGHT



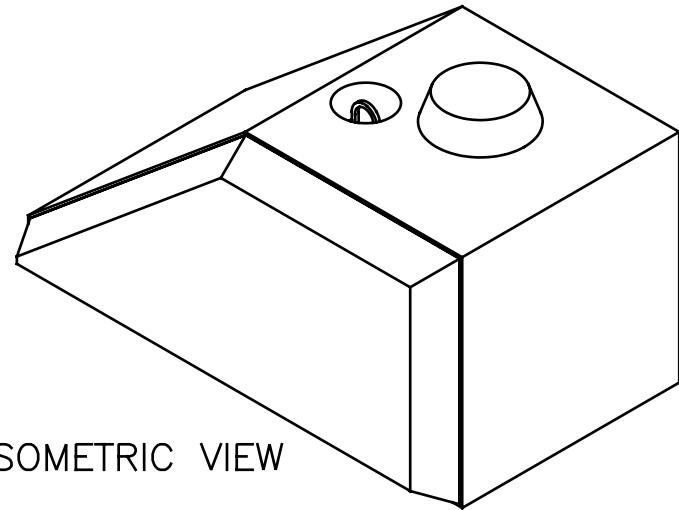
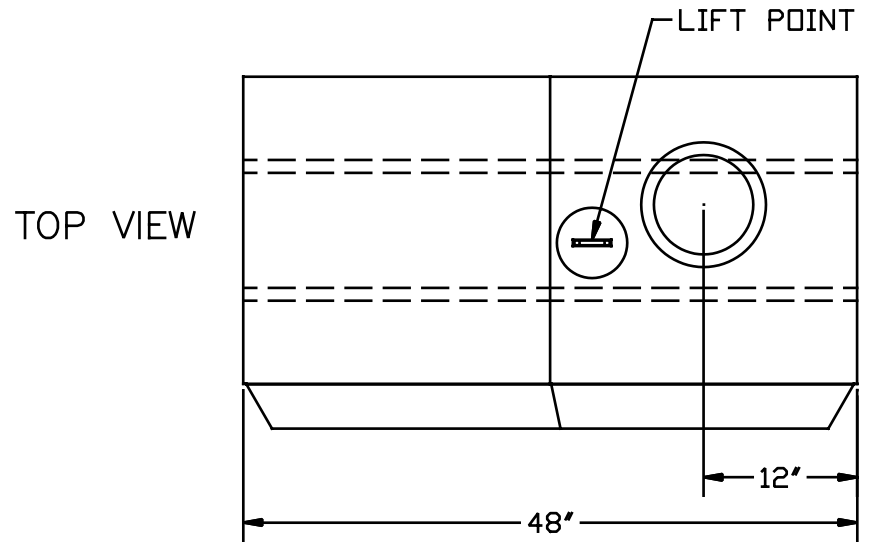
WEIGHT: 1,450 Lbs.  
VOLUME: 9.67 Cft

■ LANDSCAPE HALF CORNER - LEFT

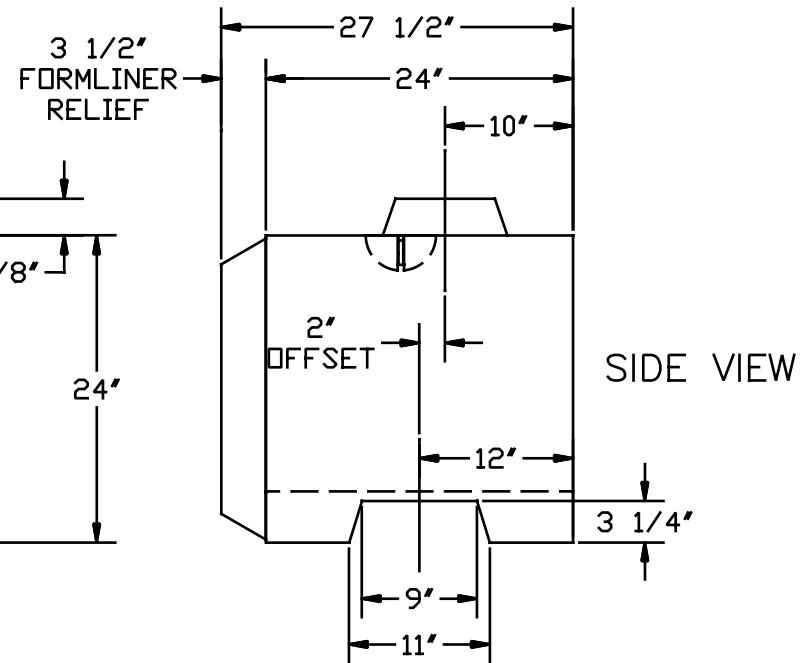
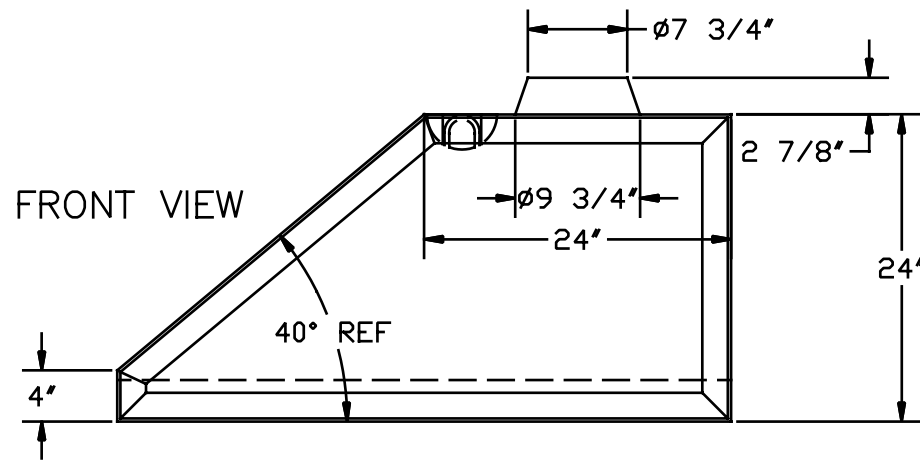


WEIGHT: 1,450 Lbs.  
VOLUME: 9.67 Cft

■ LANDSCAPE HALF SLOPE - LEFT

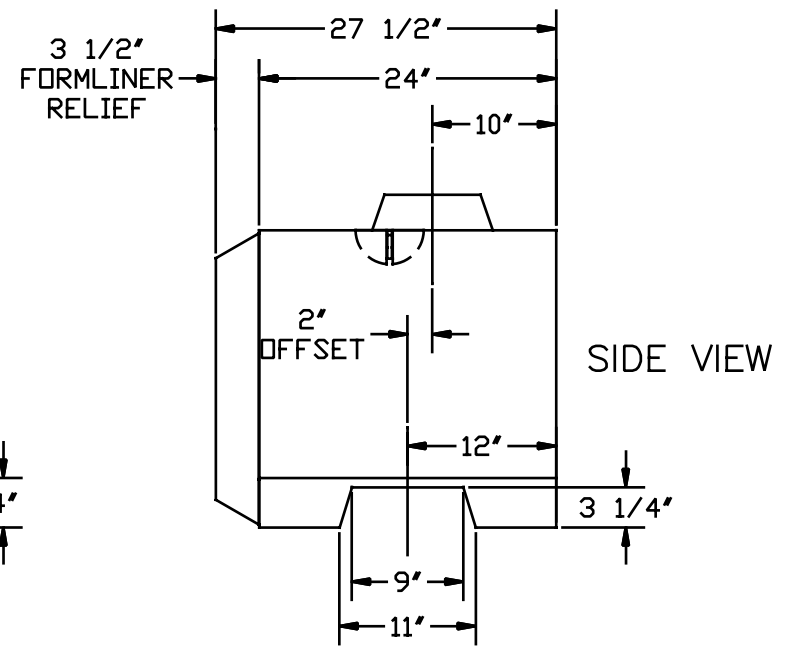
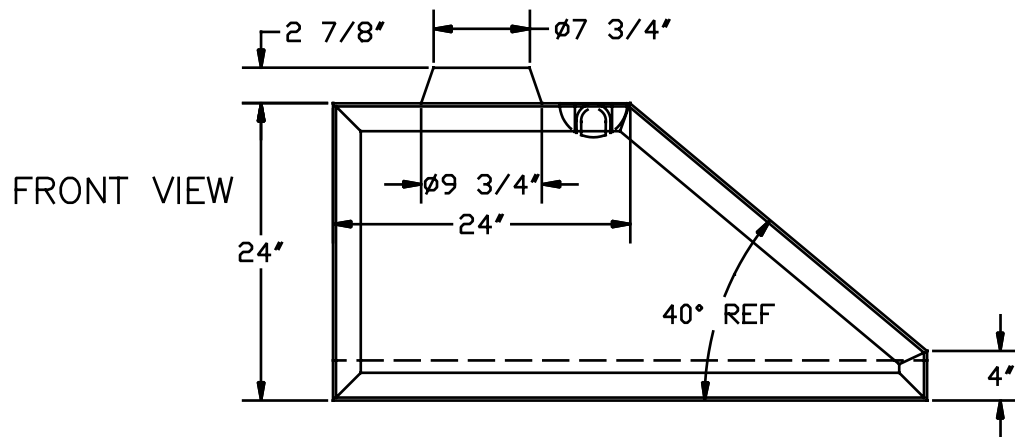
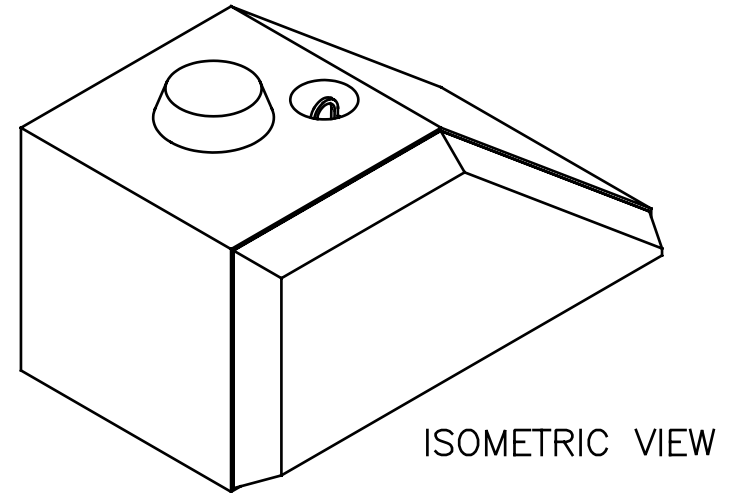
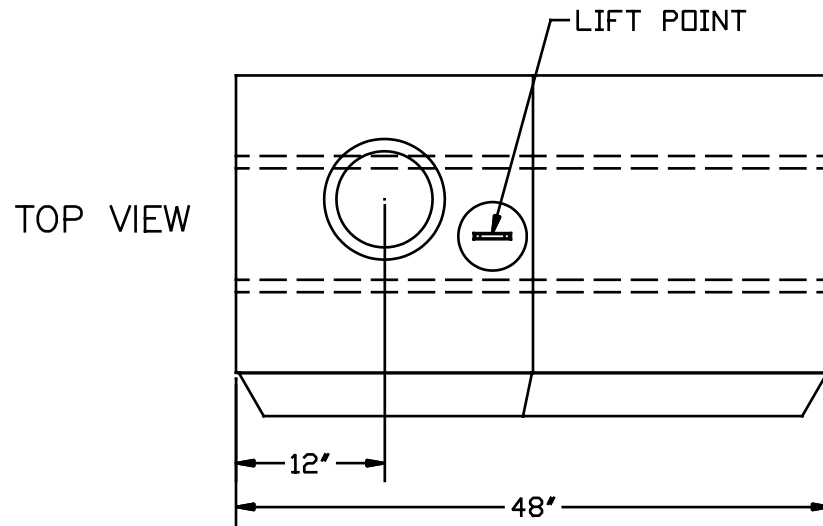


ISOMETRIC VIEW



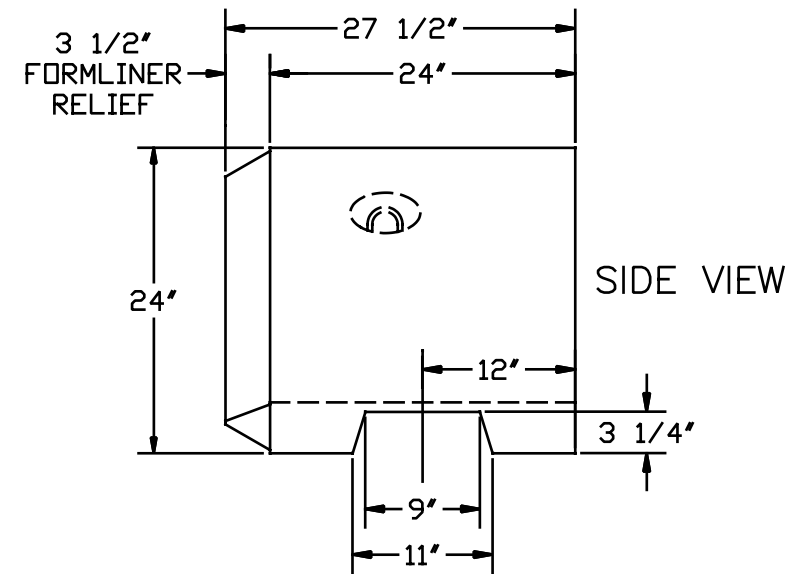
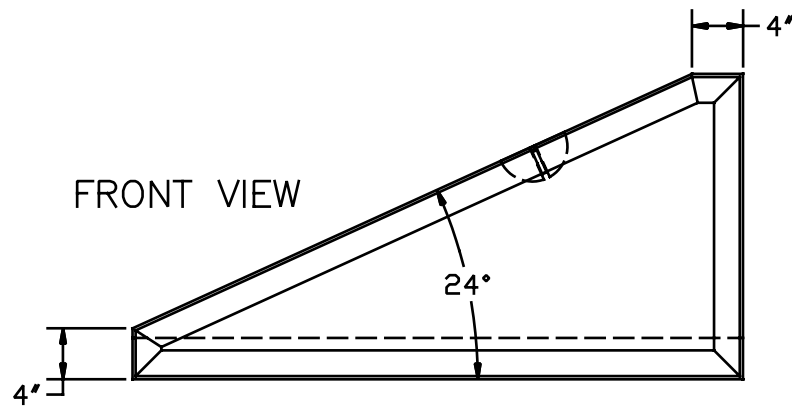
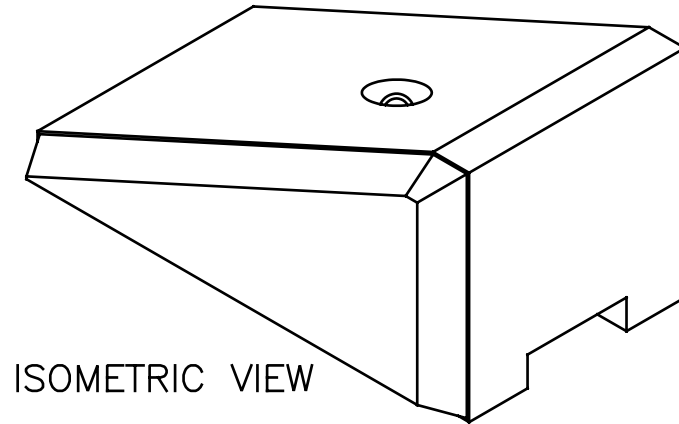
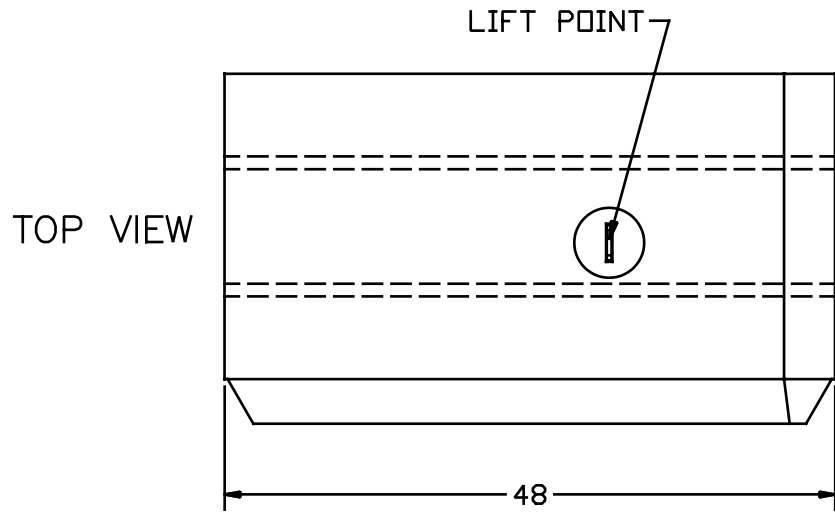
WEIGHT: 1,935 Lbs.  
VOLUME: 12.91 Cft

■ LANDSCAPE HALF SLOPE - RIGHT



WEIGHT: 1,935 Lbs.  
VOLUME: 12.91 Cft

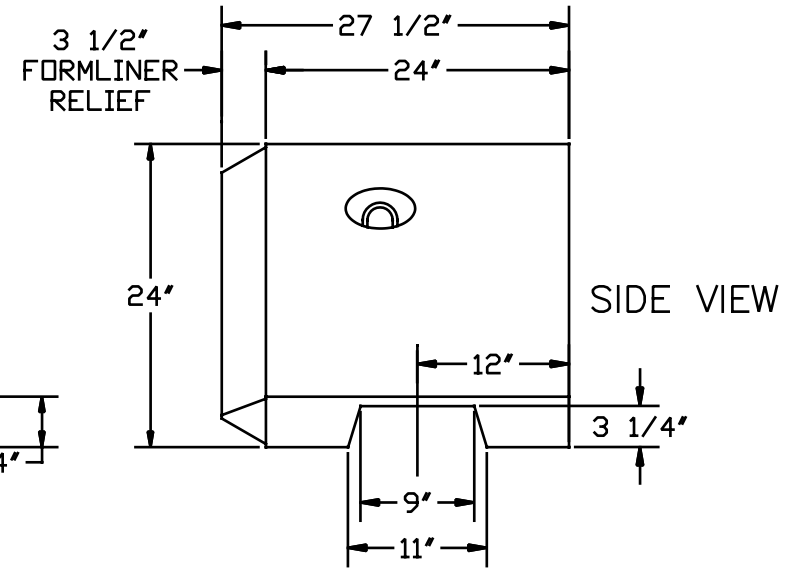
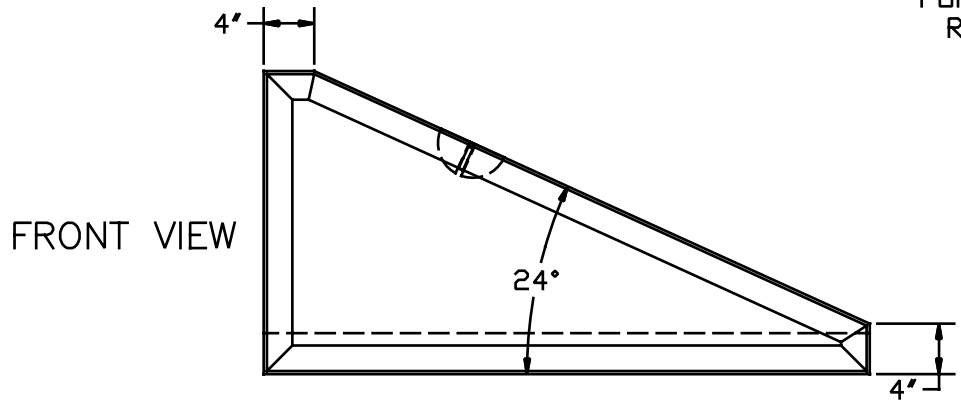
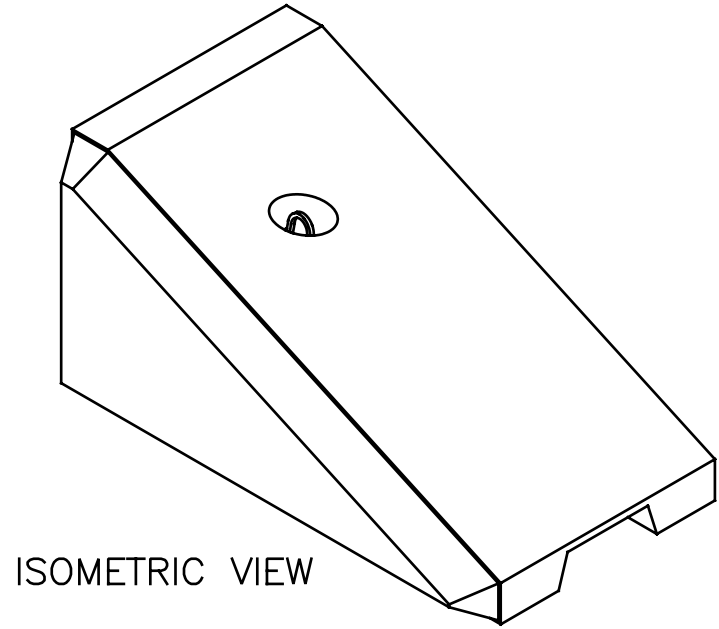
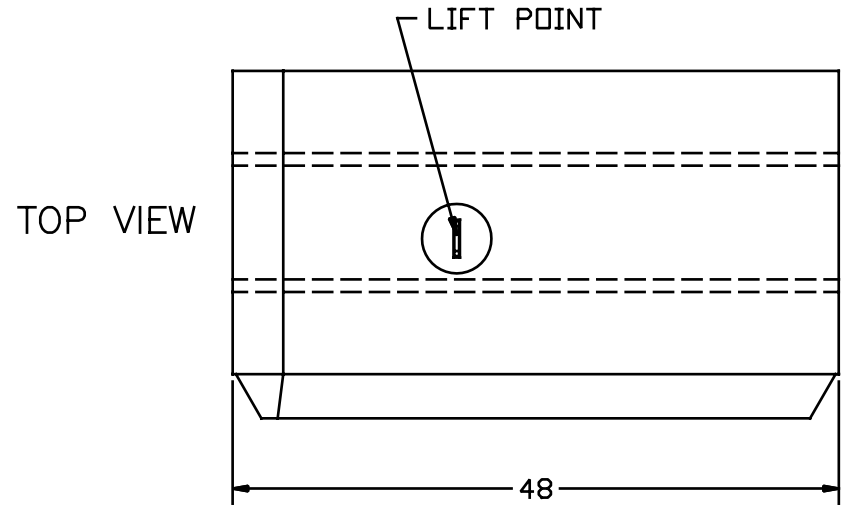
■ LANDSCAPE FULL SLOPE - LEFT



WEIGHT: 1,545 Lbs.  
VOLUME: 10.30 Cft

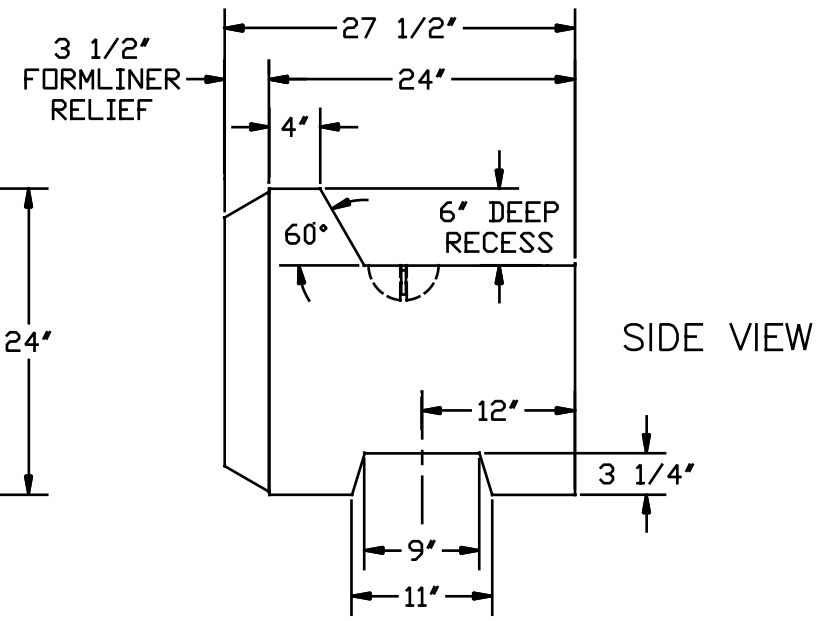
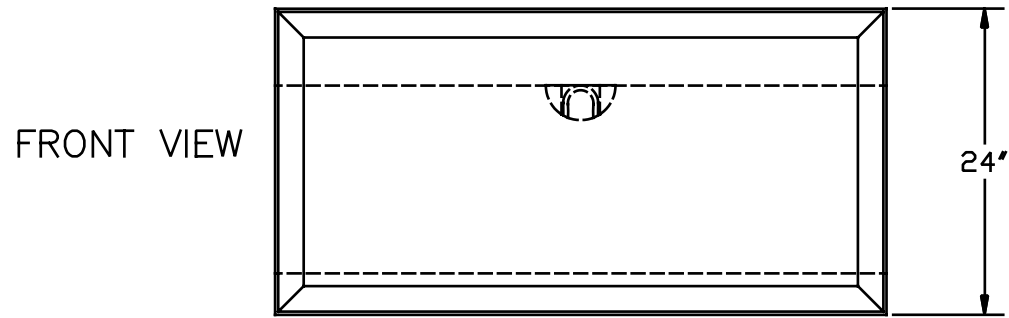
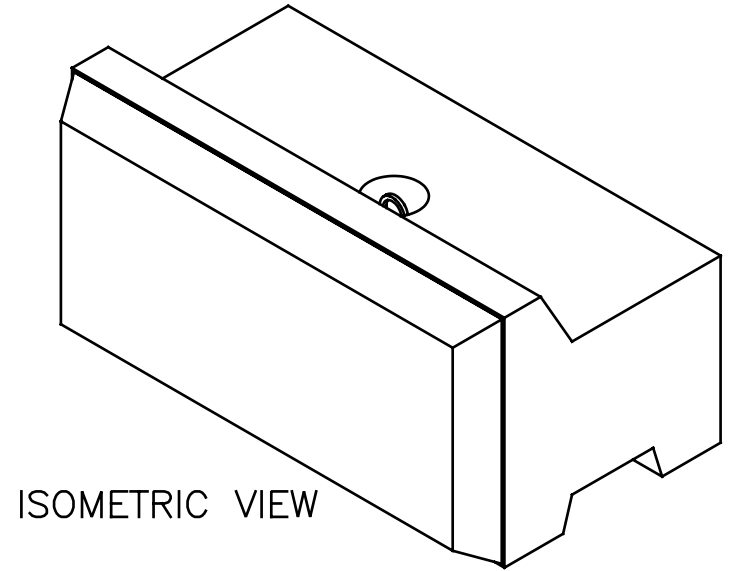
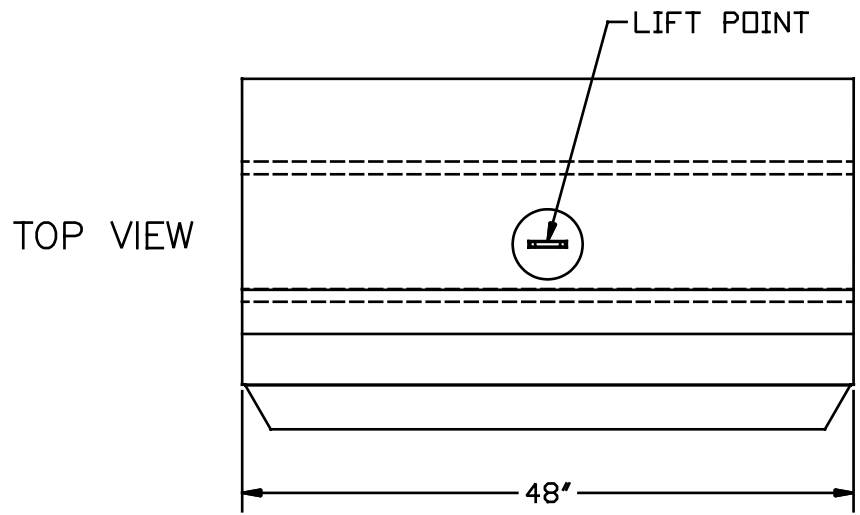


■ LANDSCAPE FULL SLOPE - RIGHT



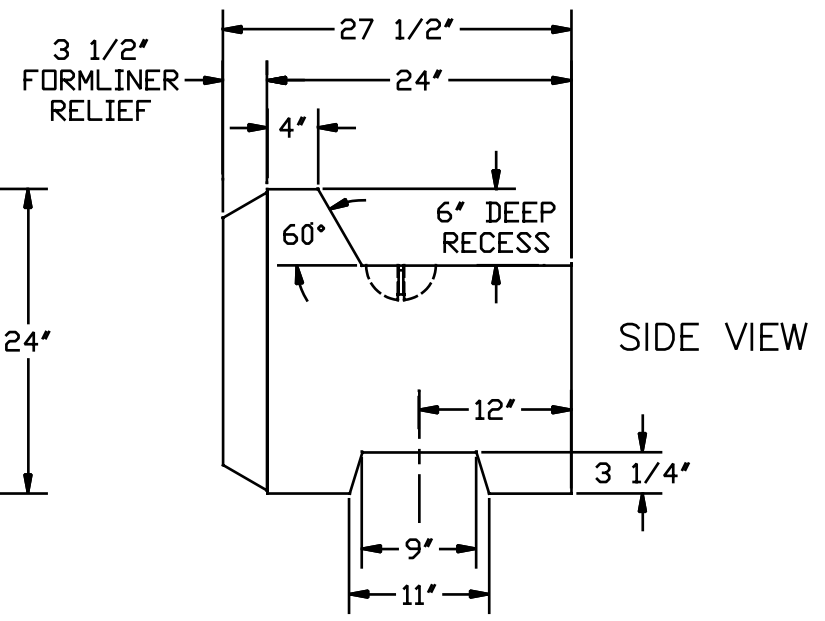
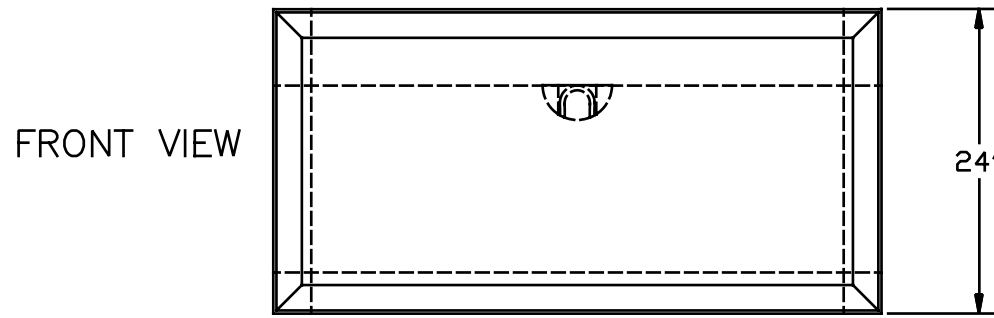
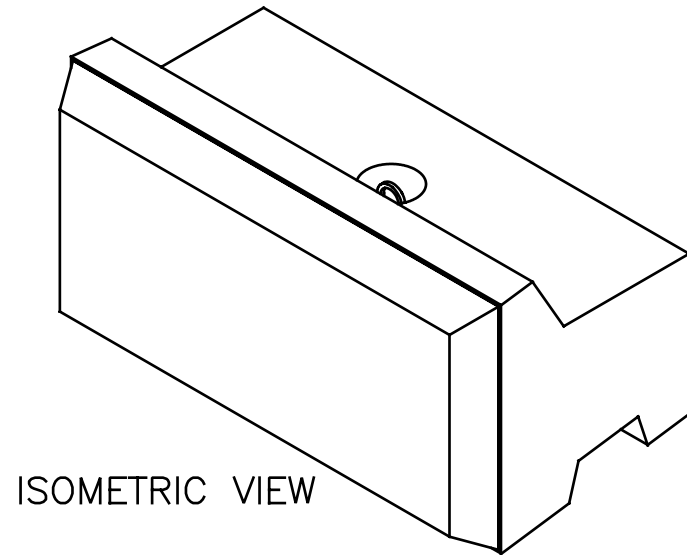
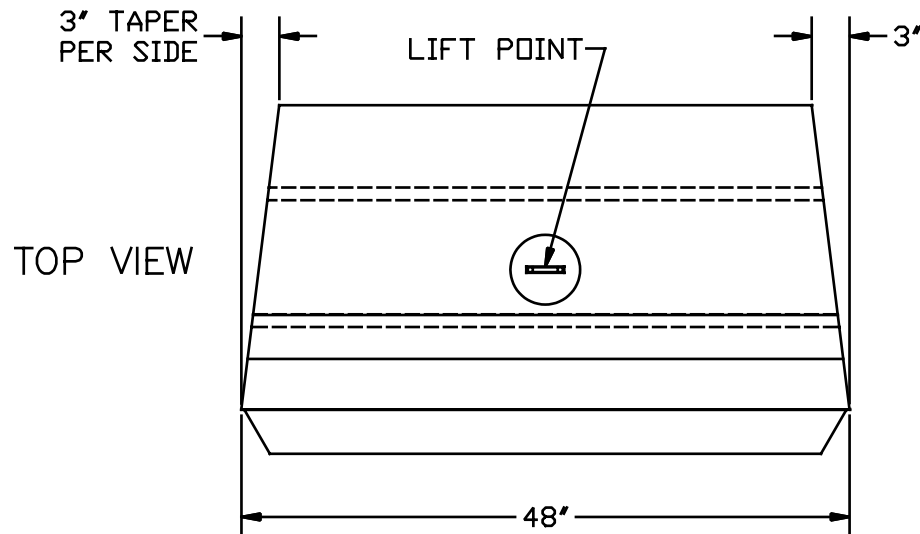
WEIGHT: 1,545 Lbs.  
VOLUME: 10.30 Cft

■ LANDSCAPE FULL RECESS - STRAIGHT ENDS



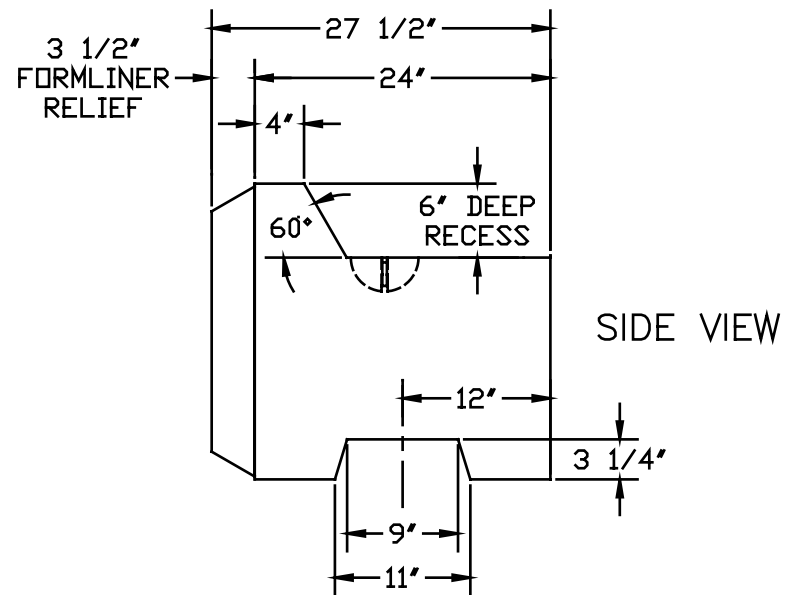
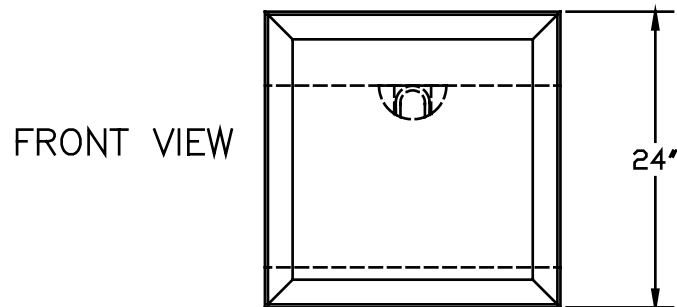
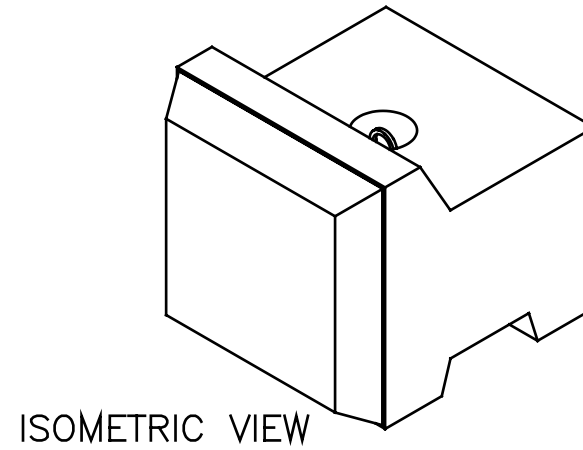
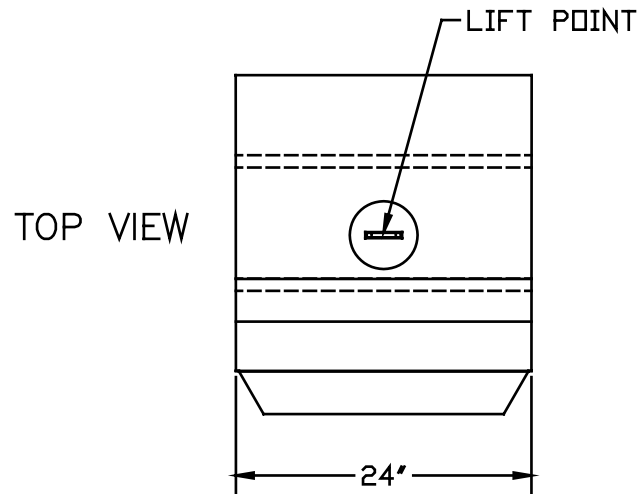
WEIGHT: 2,115 Lbs.  
VOLUME: 14.10 Cft

■ LANDSCAPE FULL RECESS - TAPERED ENDS



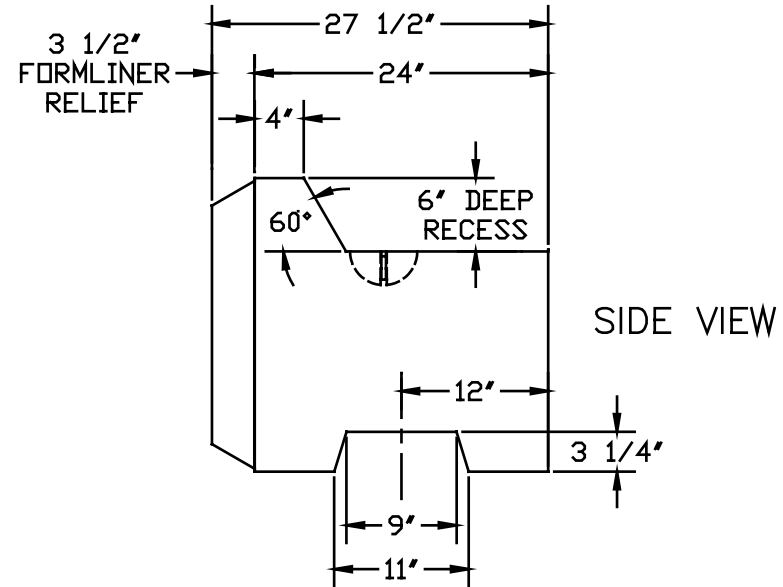
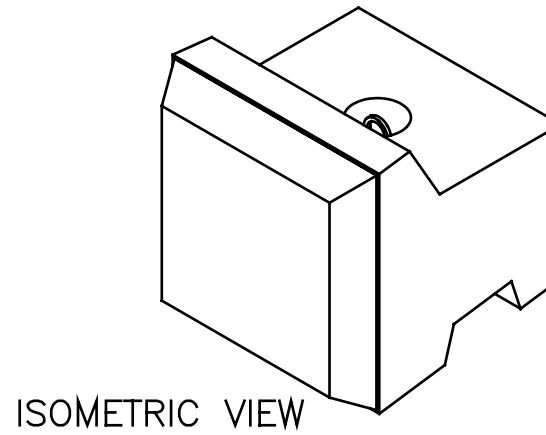
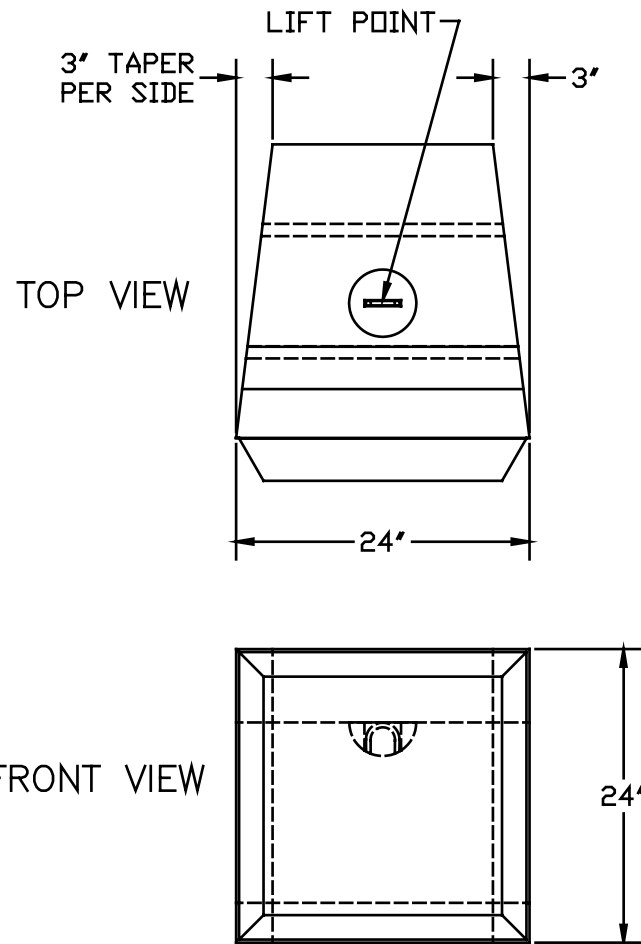
WEIGHT: 2,050 Lbs.  
VOLUME: 13.33 Cft

# LANDSCAPE HALF RECESS - STRAIGHT ENDS



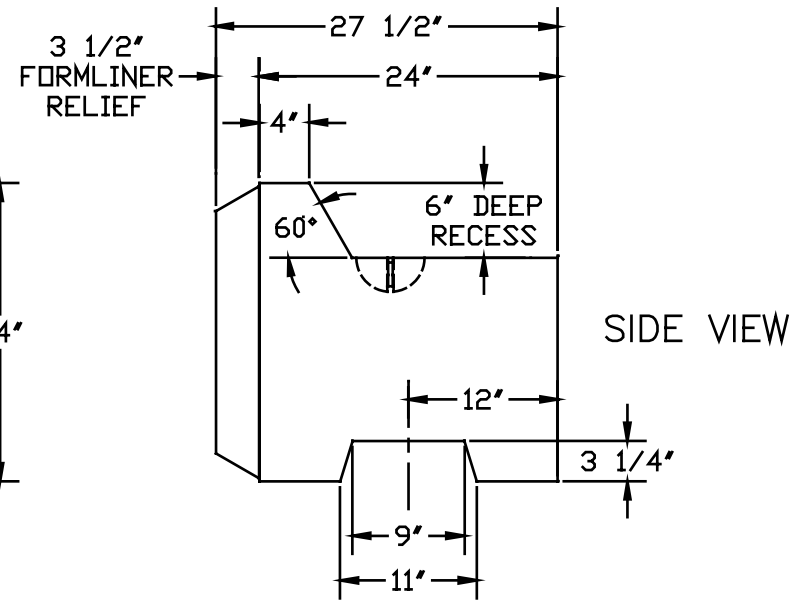
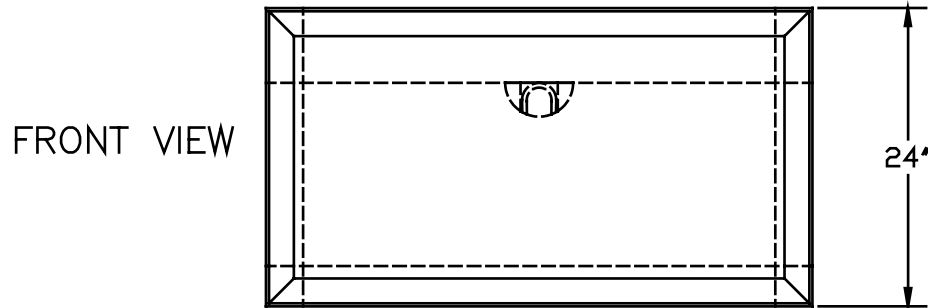
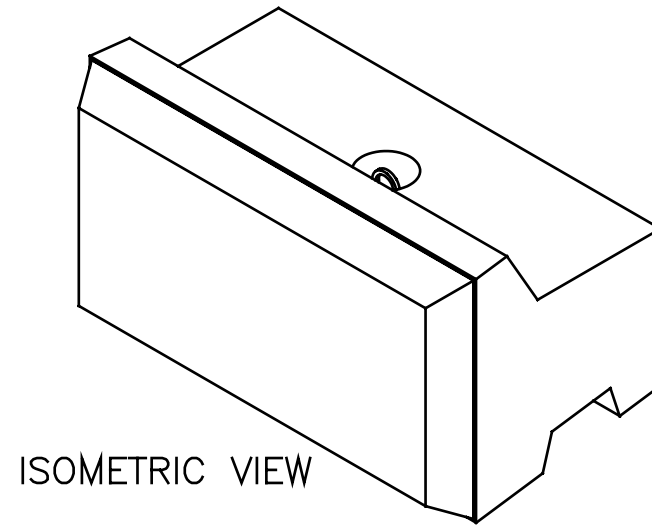
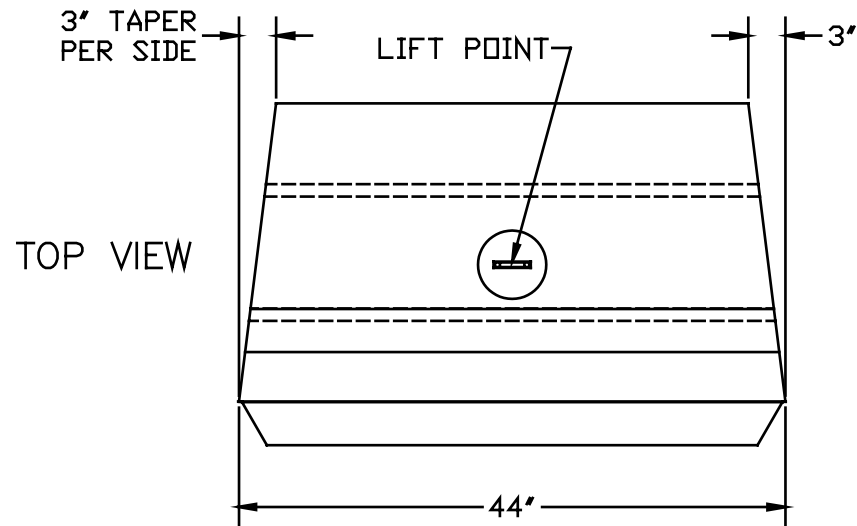
WEIGHT: 1,045 Lbs.  
VOLUME: 6.97 Cft

# LANDSCAPE HALF RECESS - TAPERED ENDS



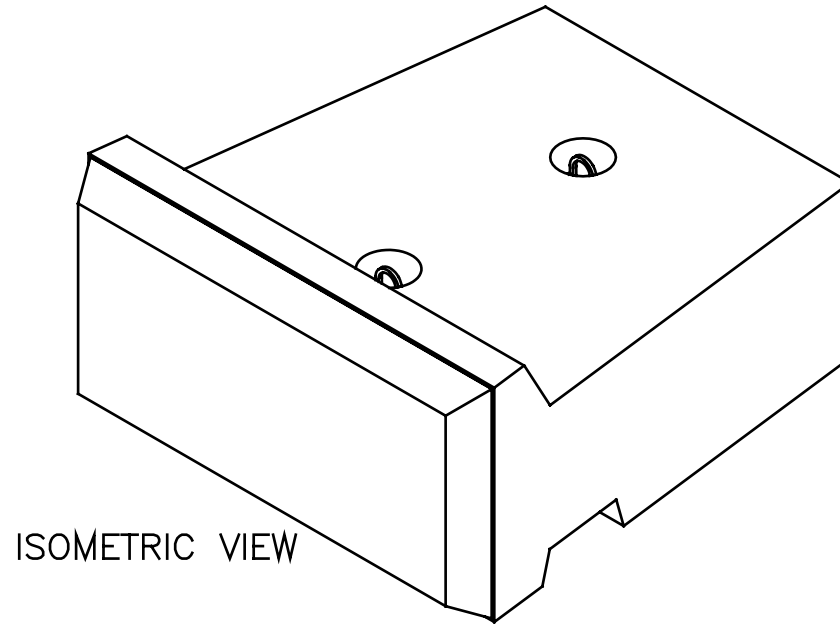
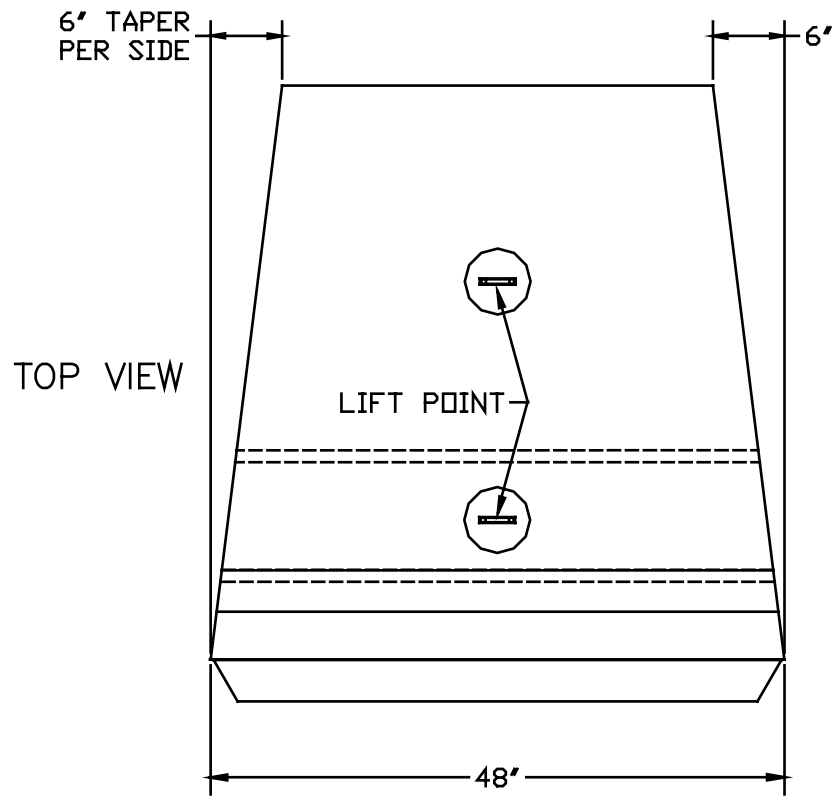
WEIGHT: 938 Lbs.  
VOLUME: 6.25 Cft

# LANDSCAPE KEY BLOCK RECESS - TAPERED ENDS

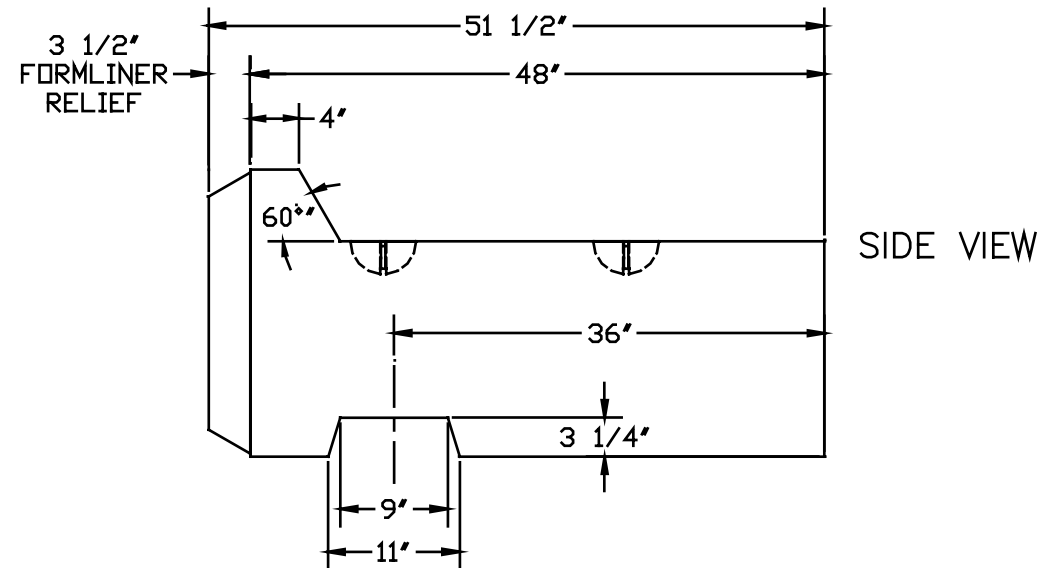
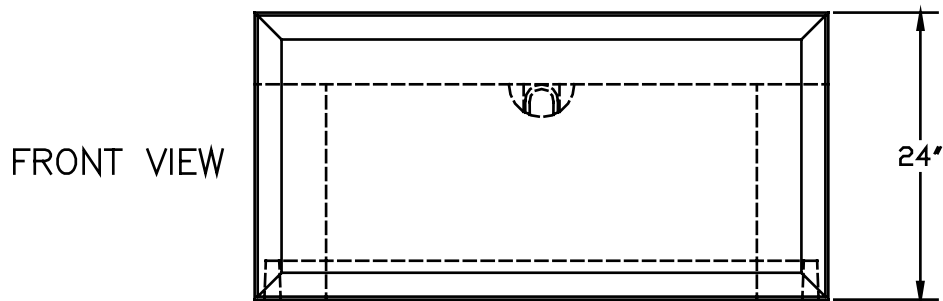


WEIGHT: 1,820 Lbs.  
VOLUME: 12.13 Cft

# LANDSCAPE BASE BLOCK RECESS - TAPERED ENDS

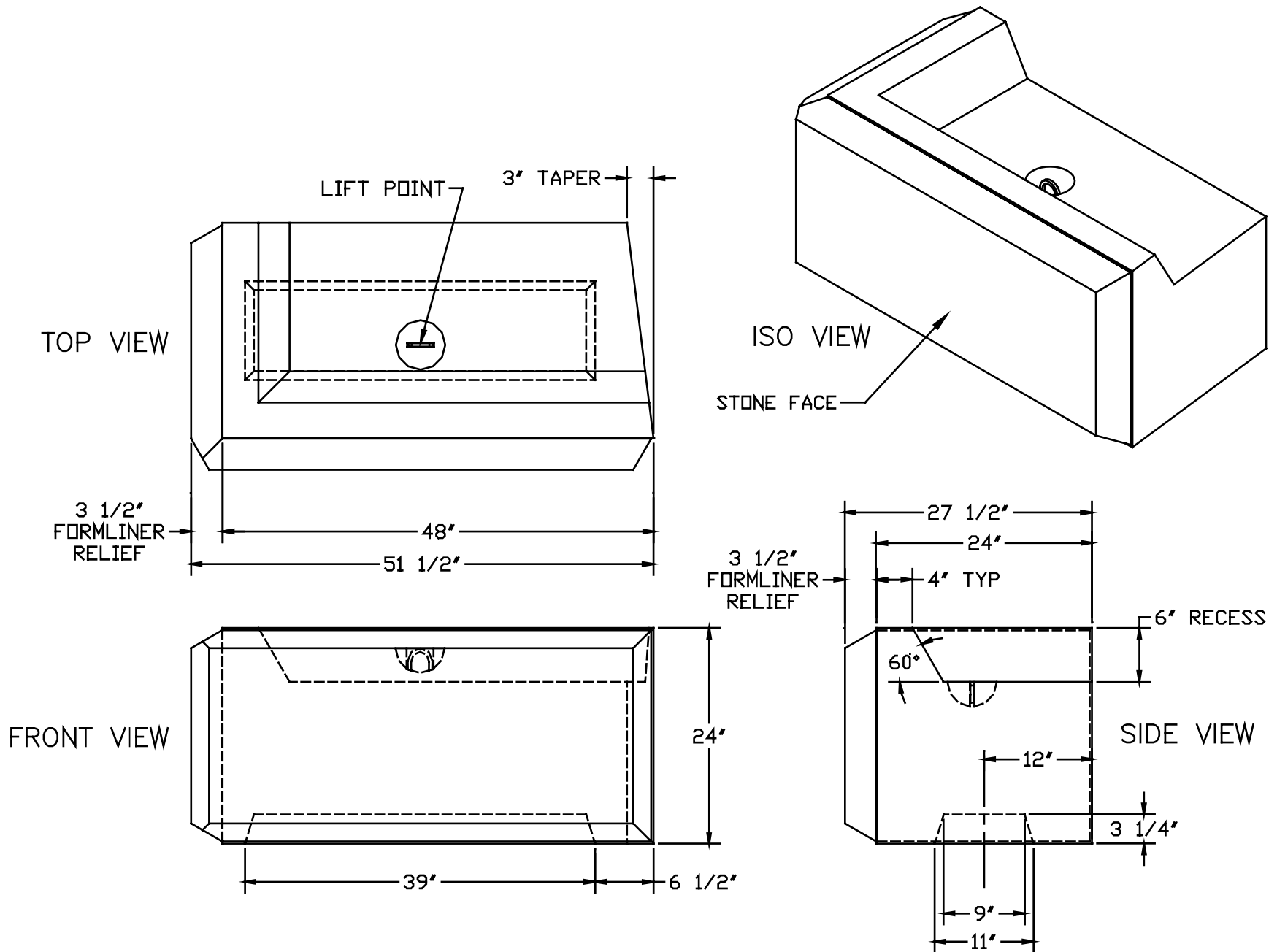


ISOMETRIC VIEW



WEIGHT: 3,460 Lbs.  
VOLUME: 23.07 Cft

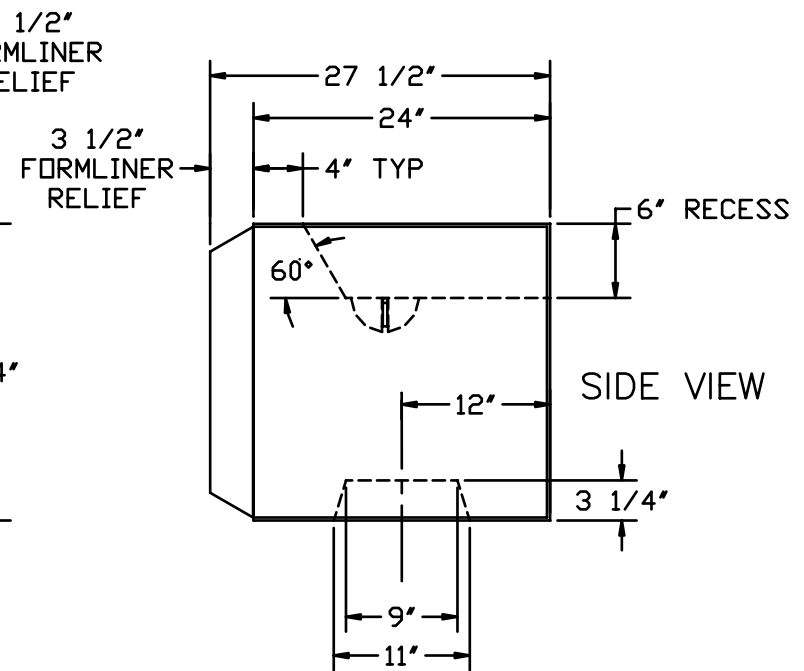
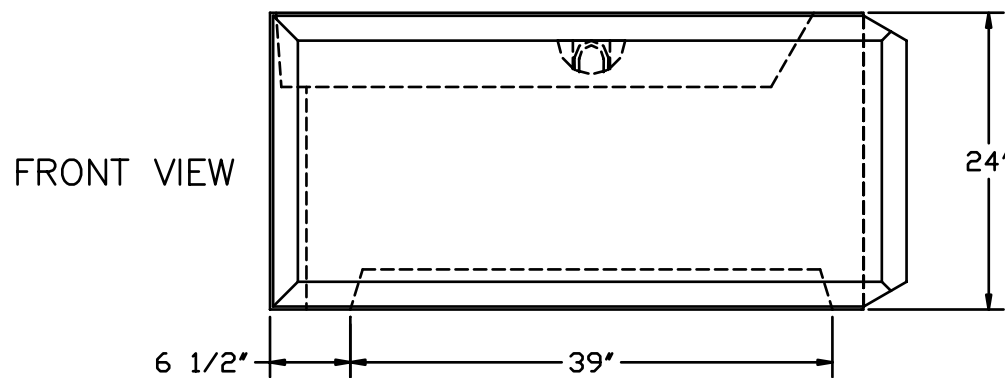
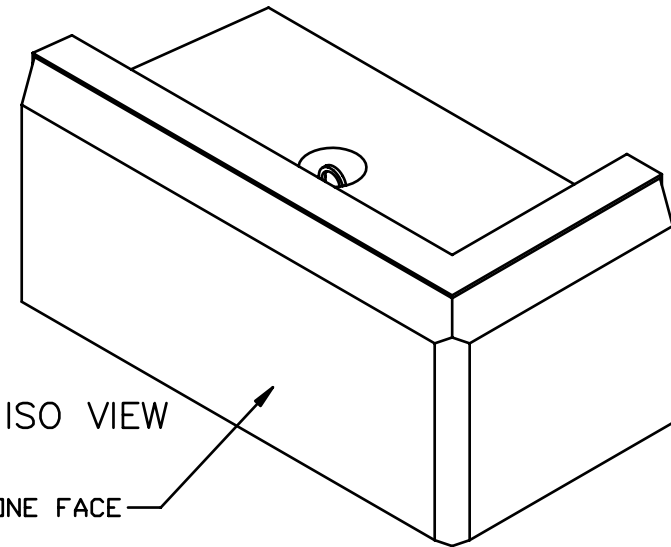
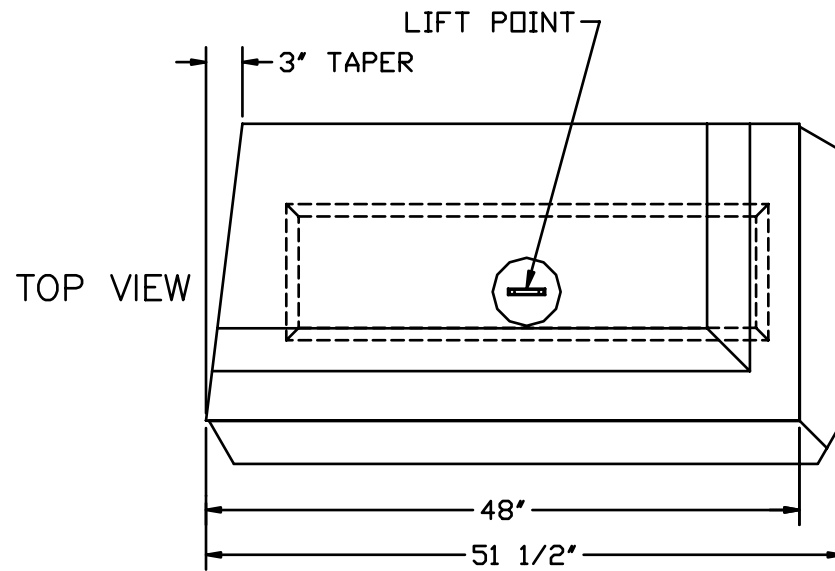
■ LANDSCAPE CORNER BLOCK RECESS - LEFT



WEIGHT: 2,300 Lbs.  
VOLUME: 15.33 Cft

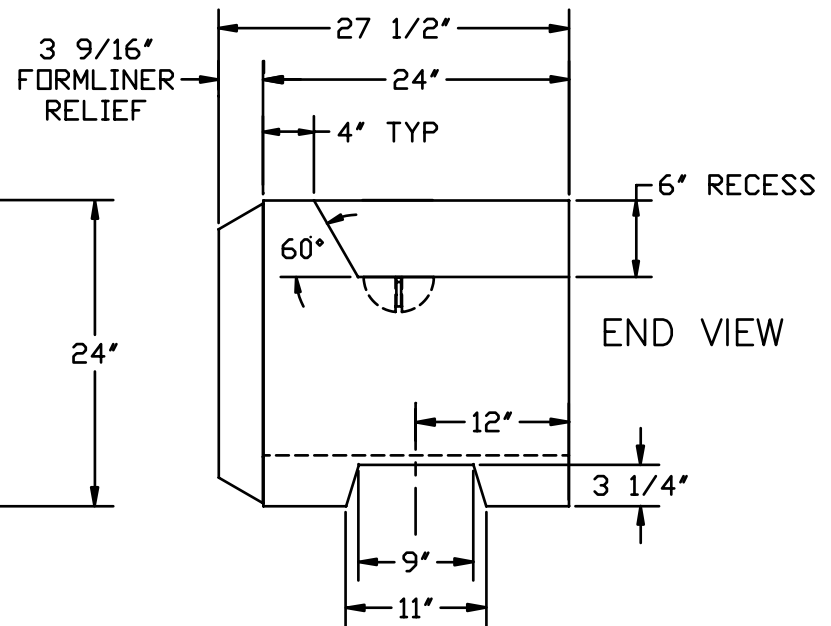
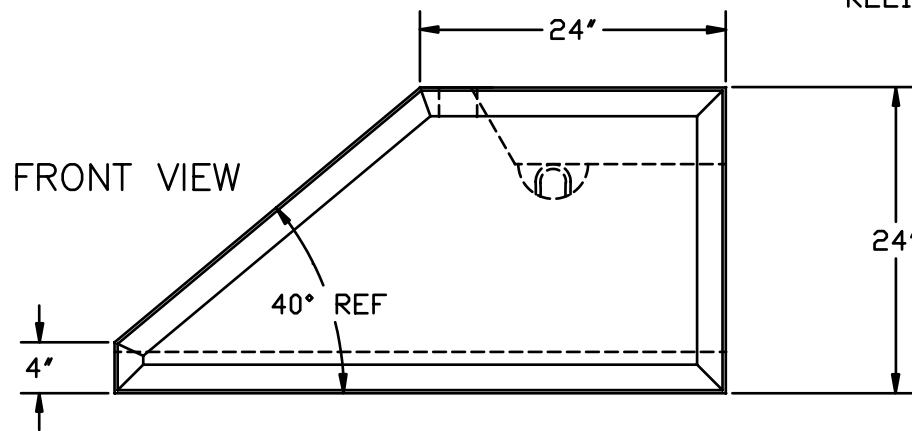
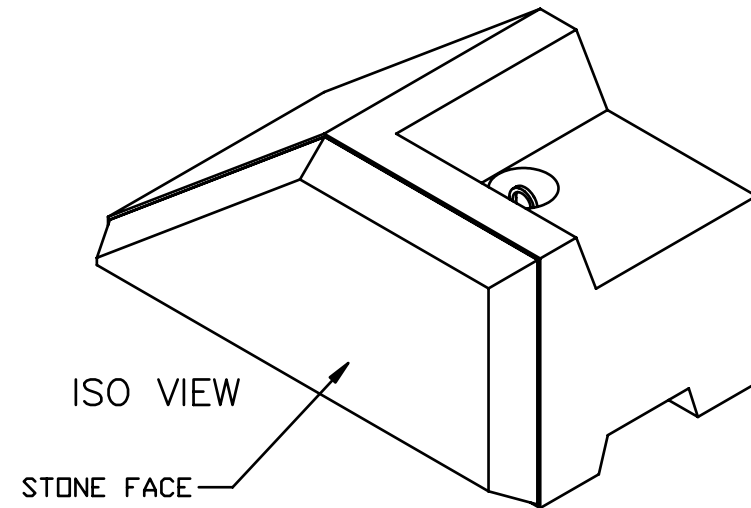
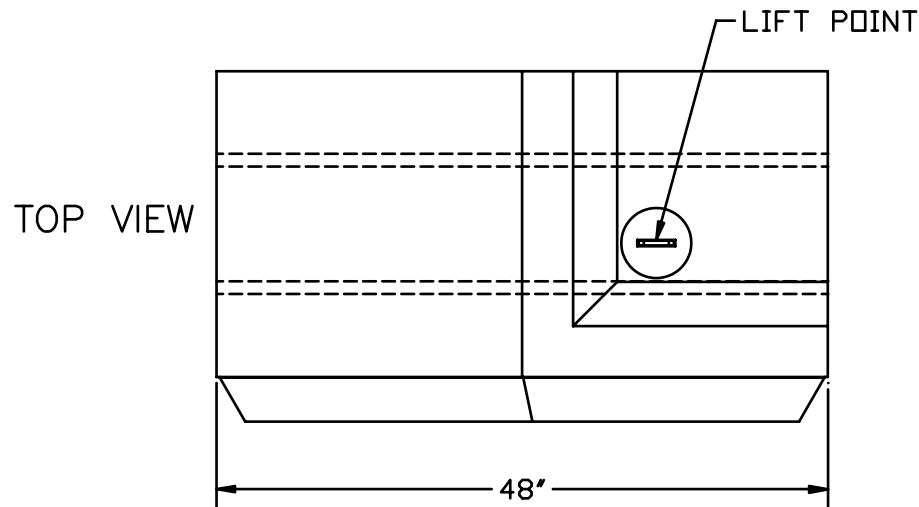


■ LANDSCAPE CORNER BLOCK RECESS - RIGHT



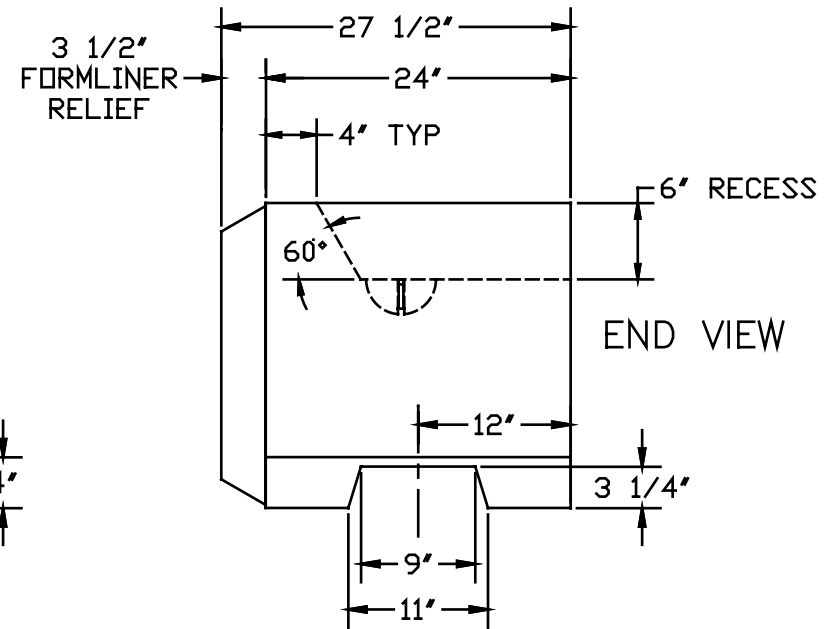
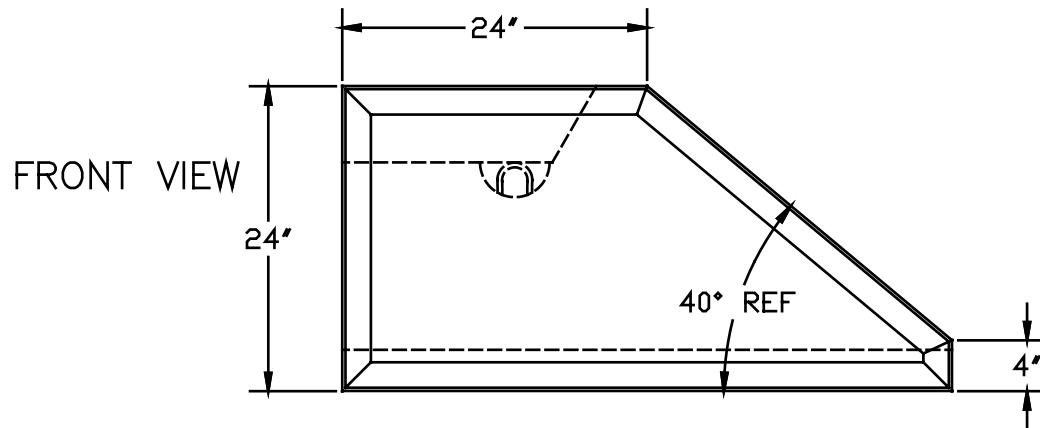
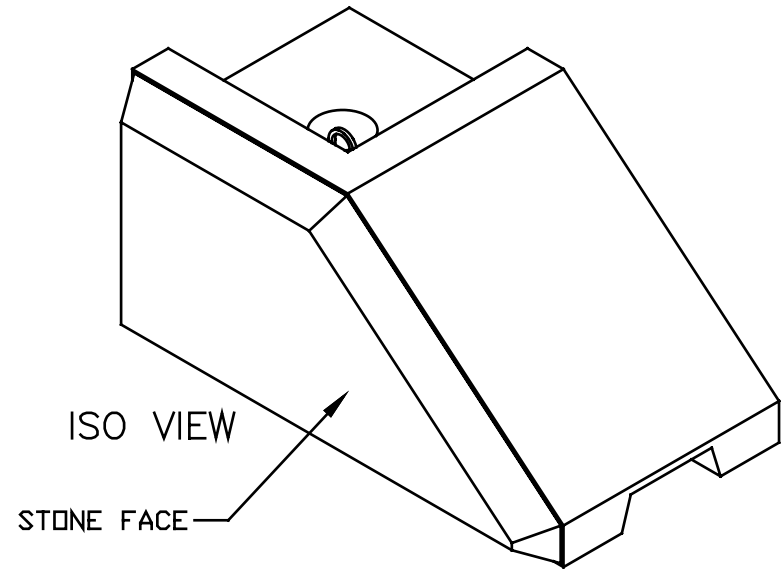
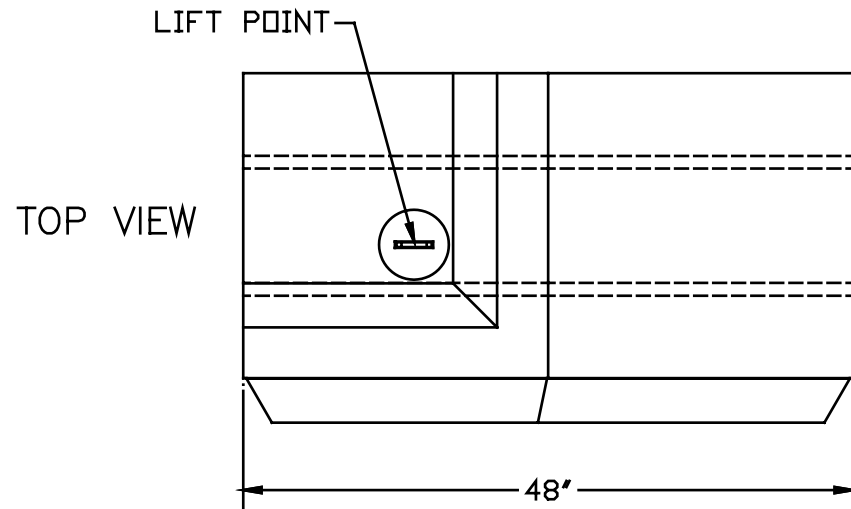
WEIGHT: 2,300 Lbs.  
VOLUME: 15.33 Cft

■ LANDSCAPE SLOPED END - RECESS - LEFT



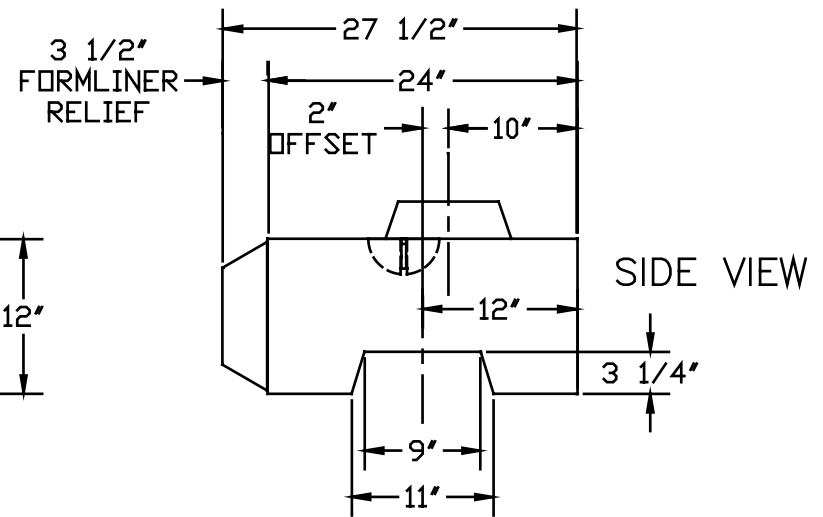
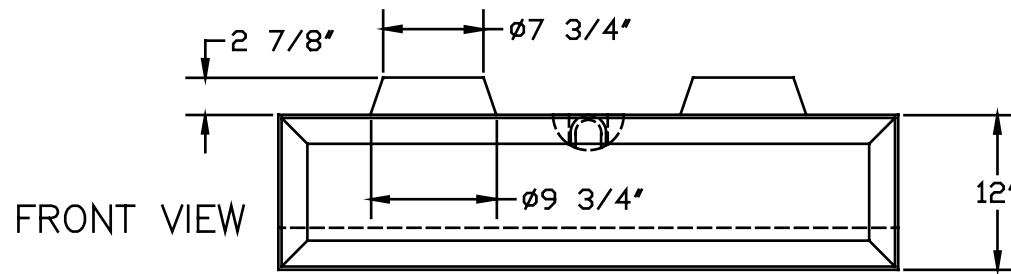
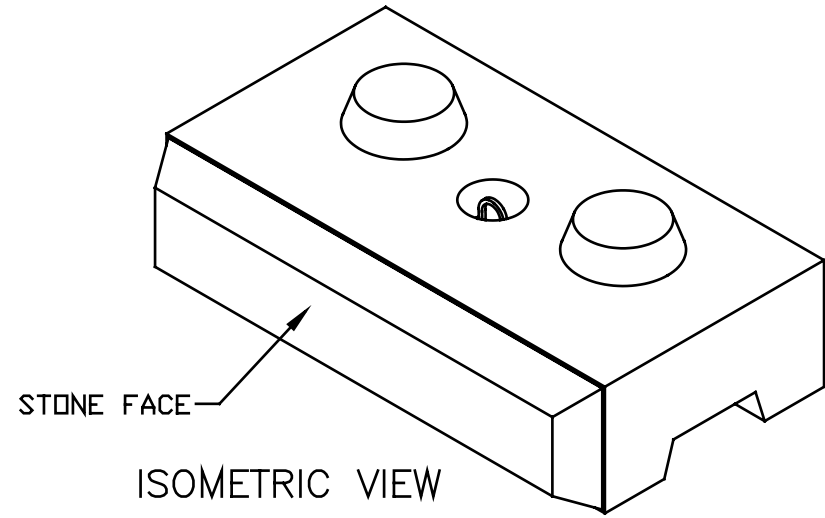
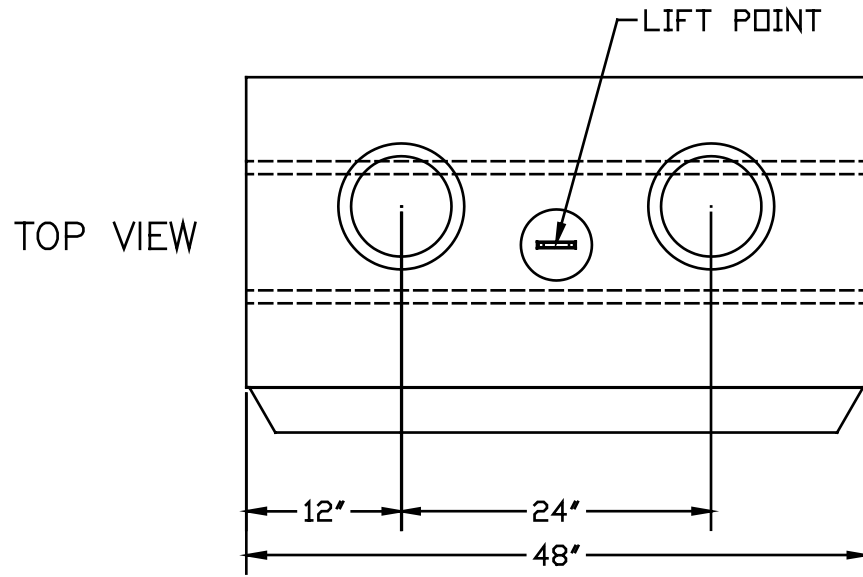
WEIGHT: 1,765 Lbs.  
VOLUME: 11.75 Cft

■ LANDSCAPE SLOPED END - RECESS - RIGHT



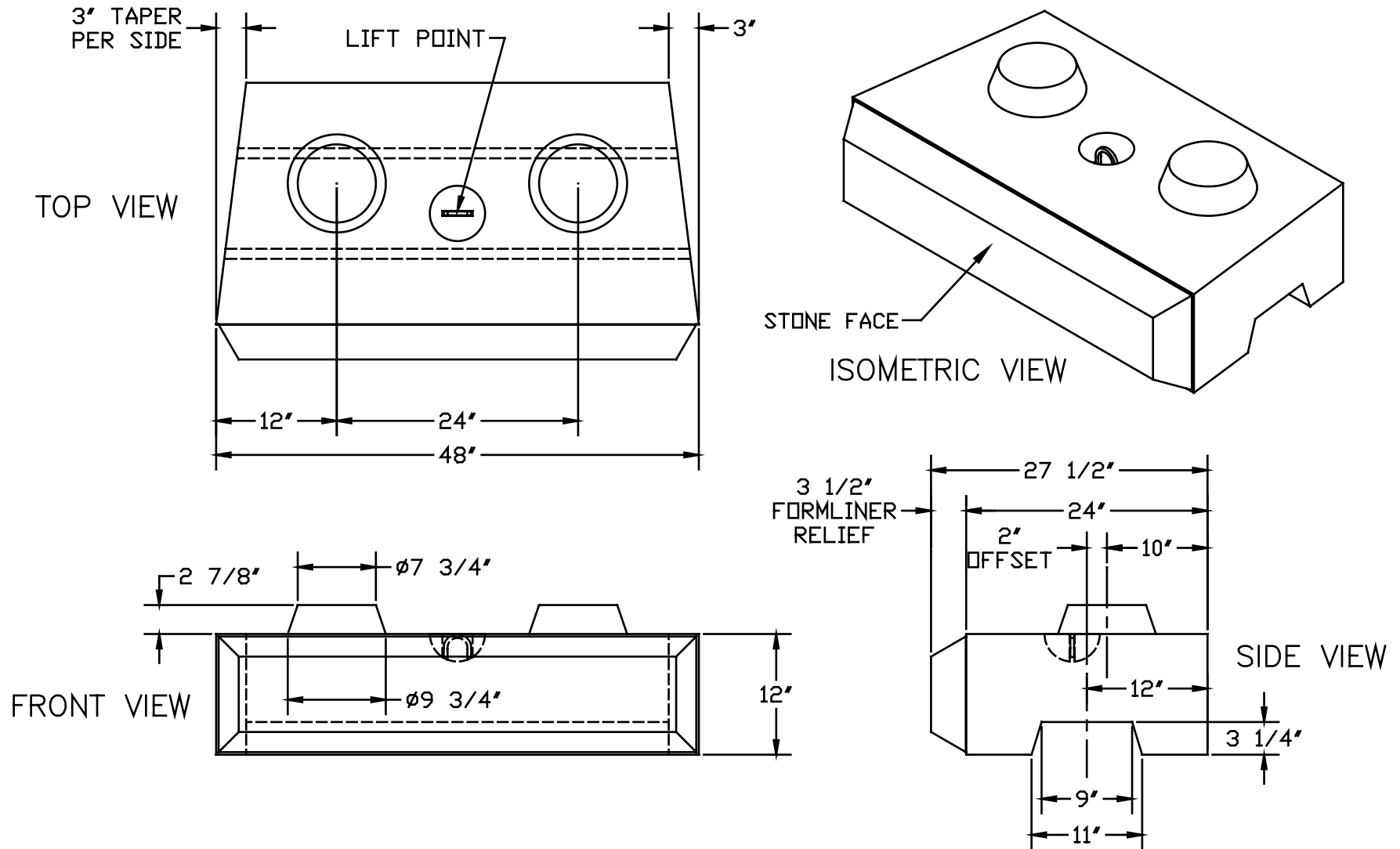
WEIGHT: 1,765 Lbs.  
VOLUME: 11.75 Cft

■ LANDSCAPE HALF HIGH - STRAIGHT ENDS



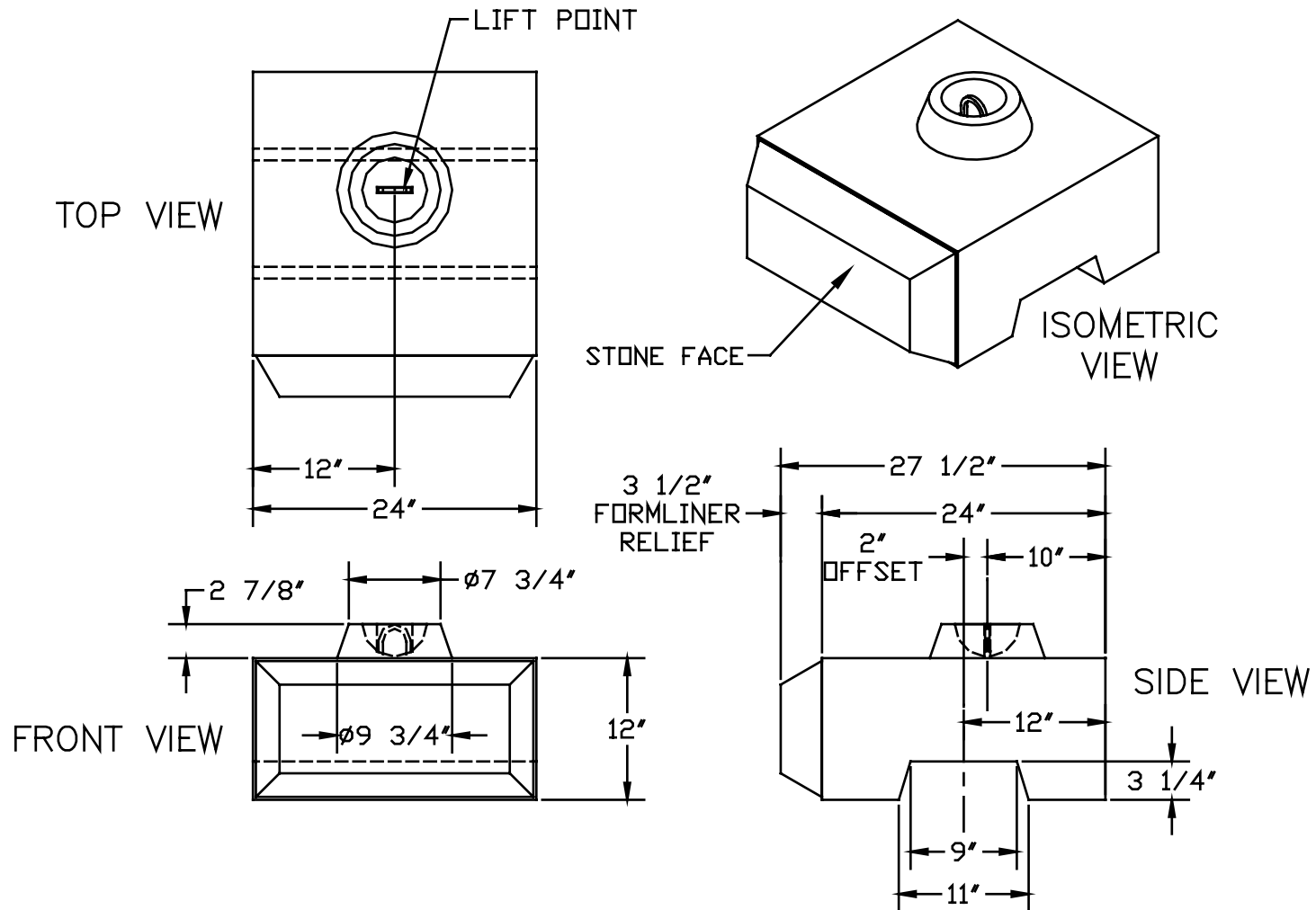
WEIGHT: 1,270 Lbs.  
VOLUME: 8.47 Cft

■ LANDSCAPE HALF HIGH - TAPERED ENDS



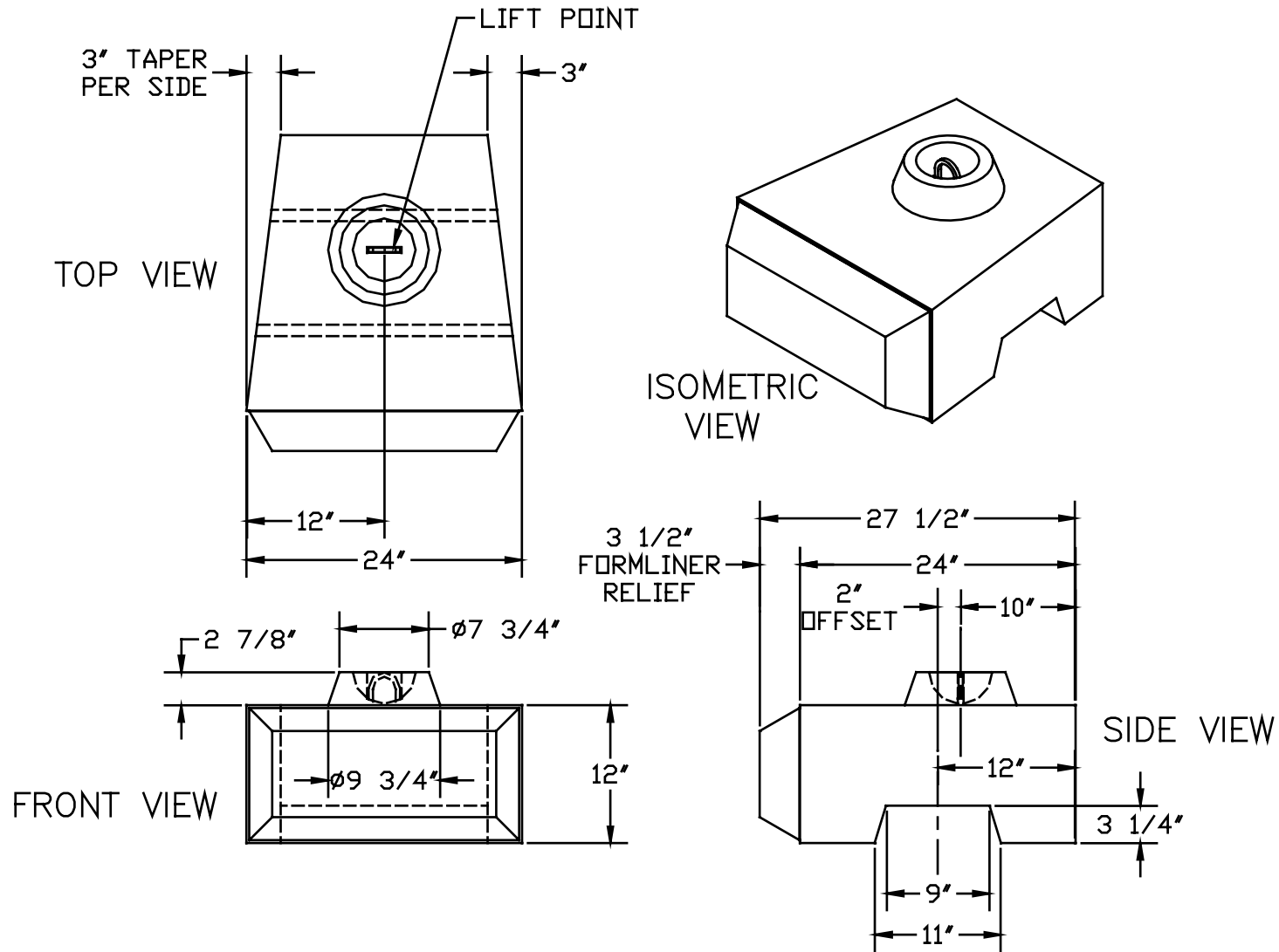
WEIGHT: 1,190 Lbs.  
VOLUME: 7.93 Cft

■ LANDSCAPE HALF HIGH - HALF BLOCK - STRAIGHT ENDS



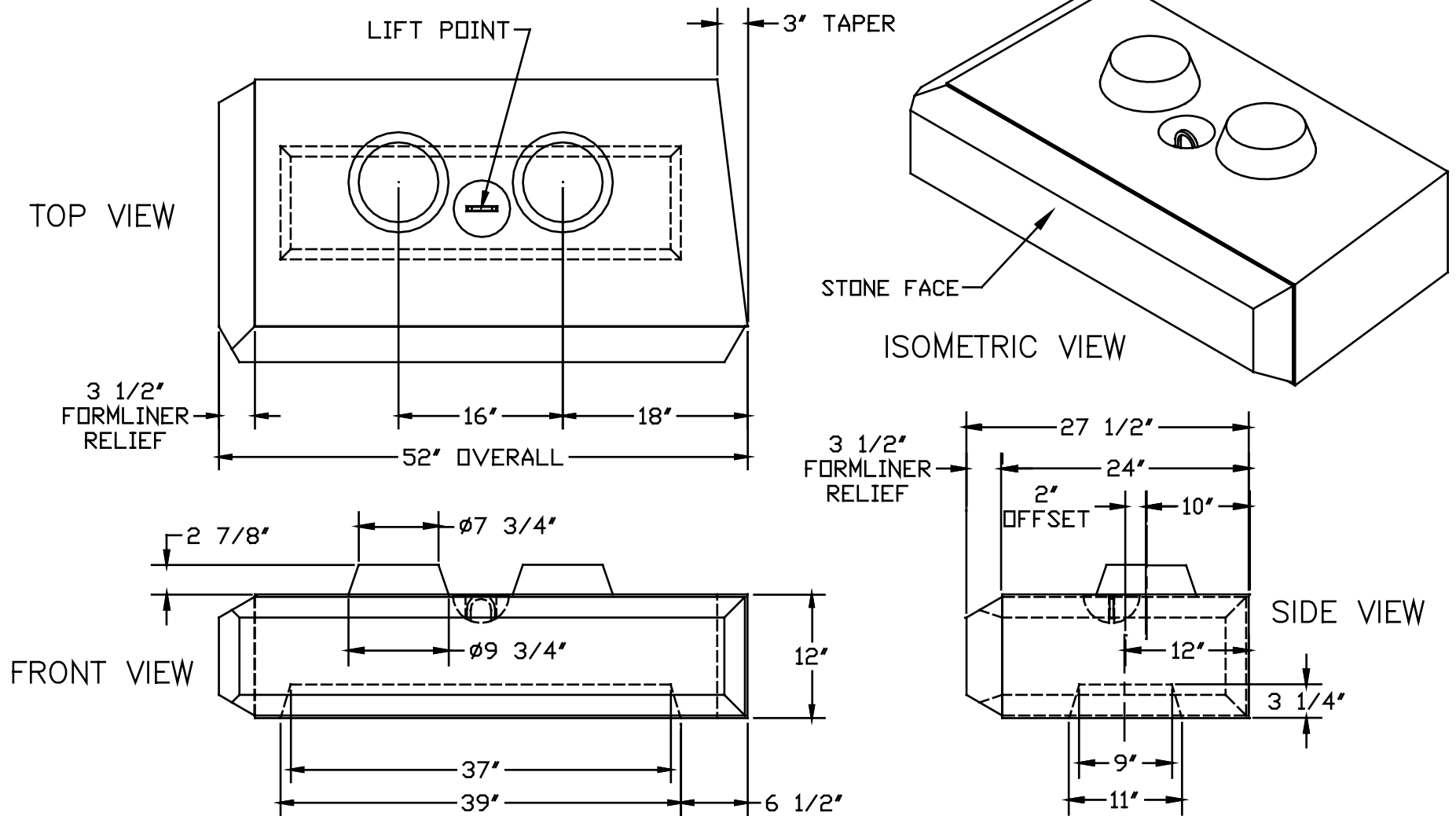
WEIGHT: 635 Lbs.  
VOLUME: 4.23 Cft

# LANDSCAPE HALF HIGH - HALF BLOCK - TAPERED ENDS



WEIGHT: 555 Lbs.  
VOLUME: 3.70 Cft

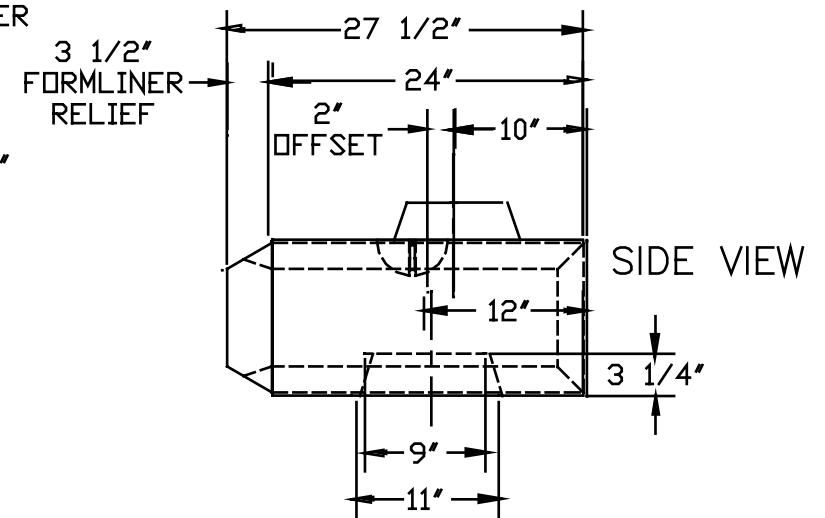
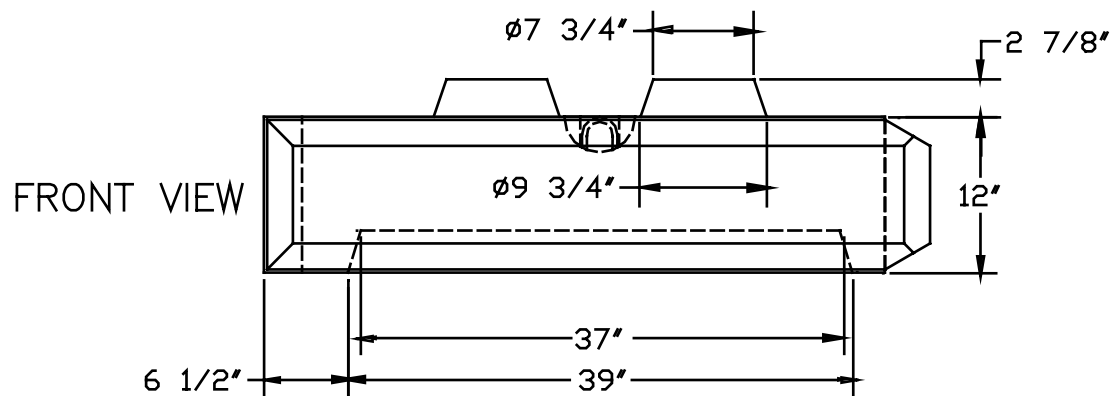
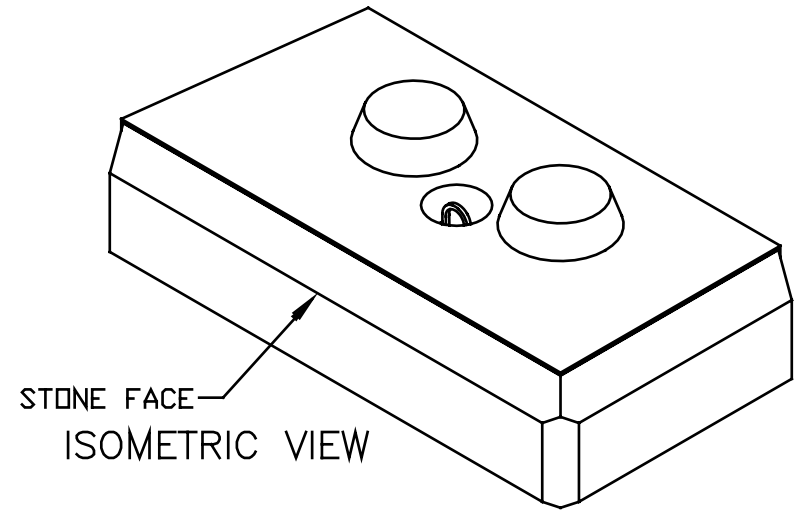
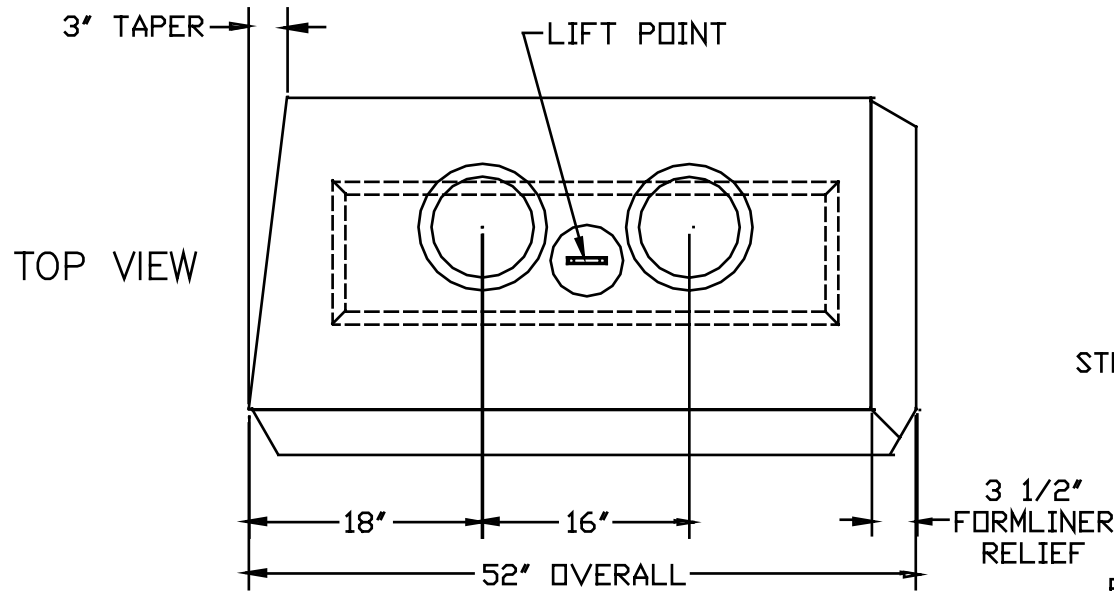
■ LANDSCAPE HALF HIGH - CORNER - LEFT



WEIGHT: 1,385 Lbs.  
VOLUME: 9.23 Cft

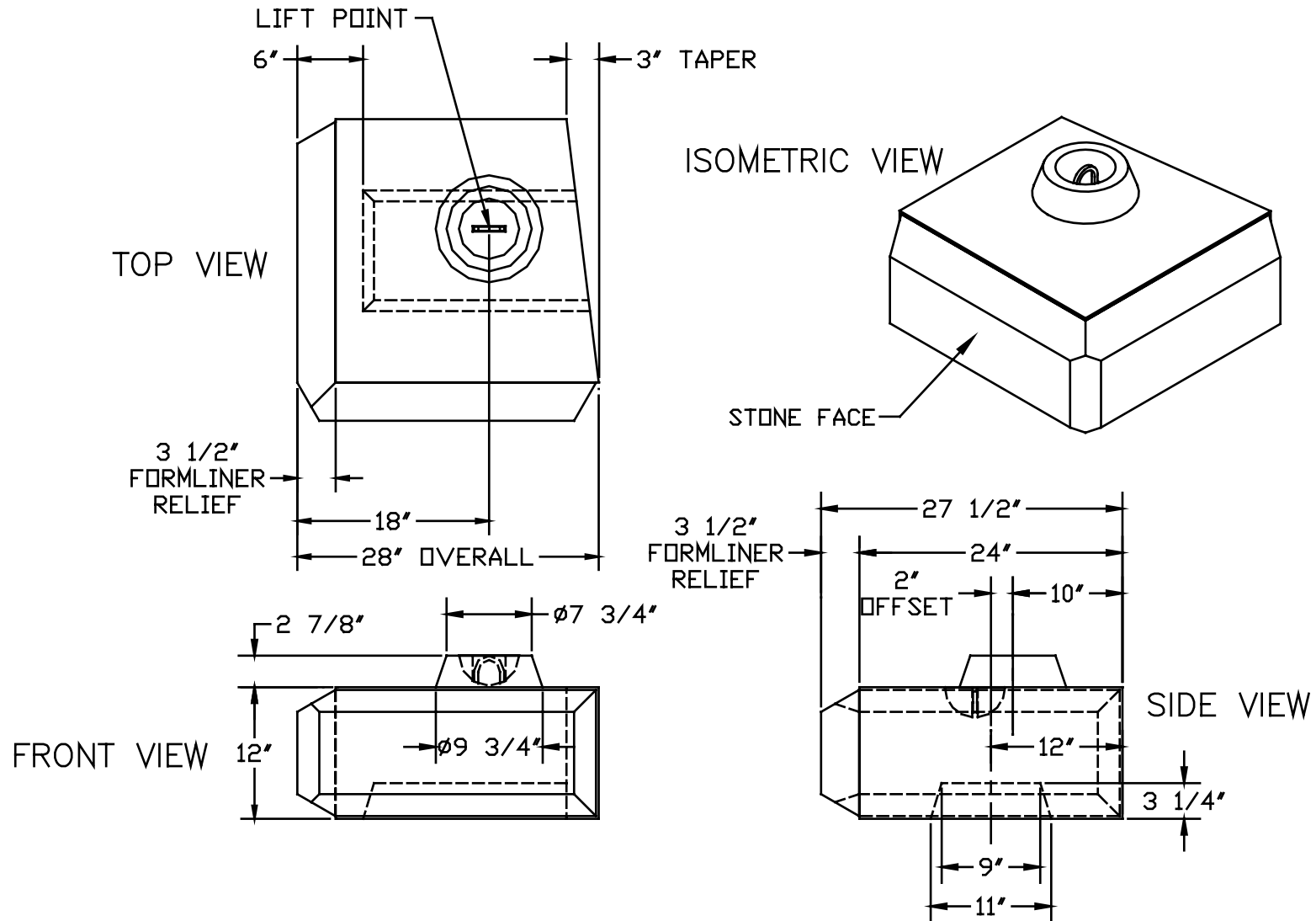


■ LANDSCAPE HALF HIGH - CORNER - RIGHT



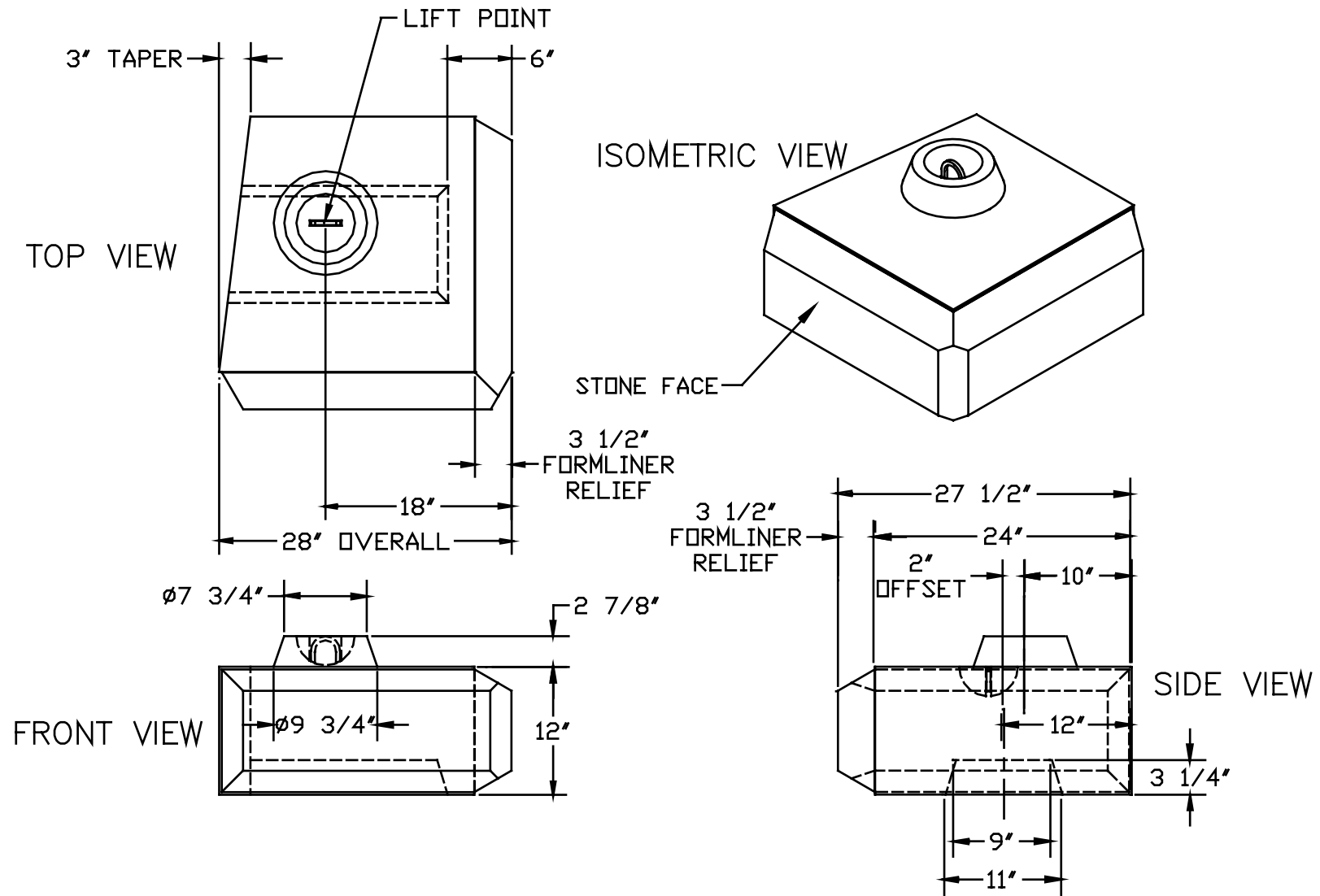
WEIGHT: 1,385 Lbs.  
VOLUME: 9.23 Cft

■ LANDSCAPE HALF HIGH - HALF CORNER - LEFT



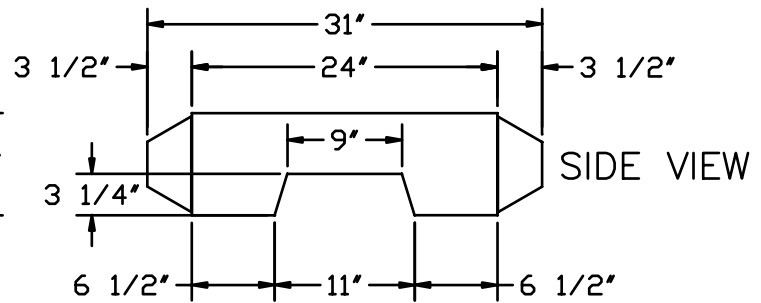
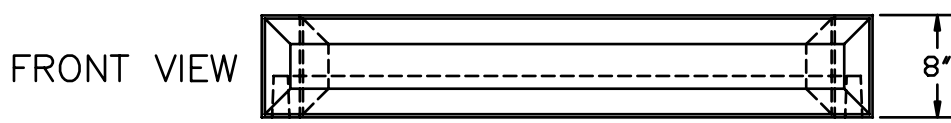
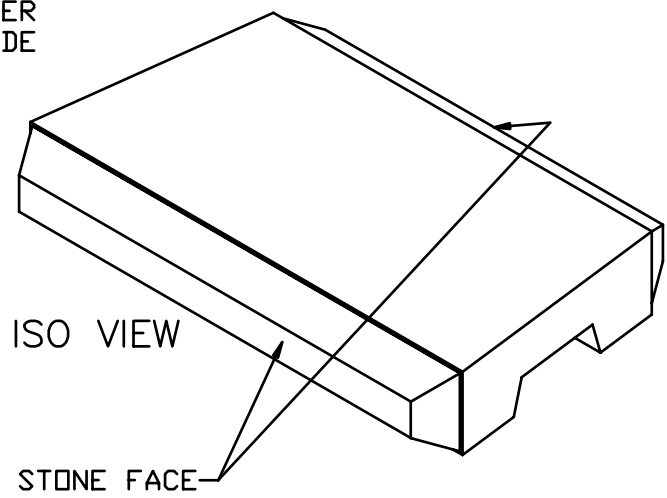
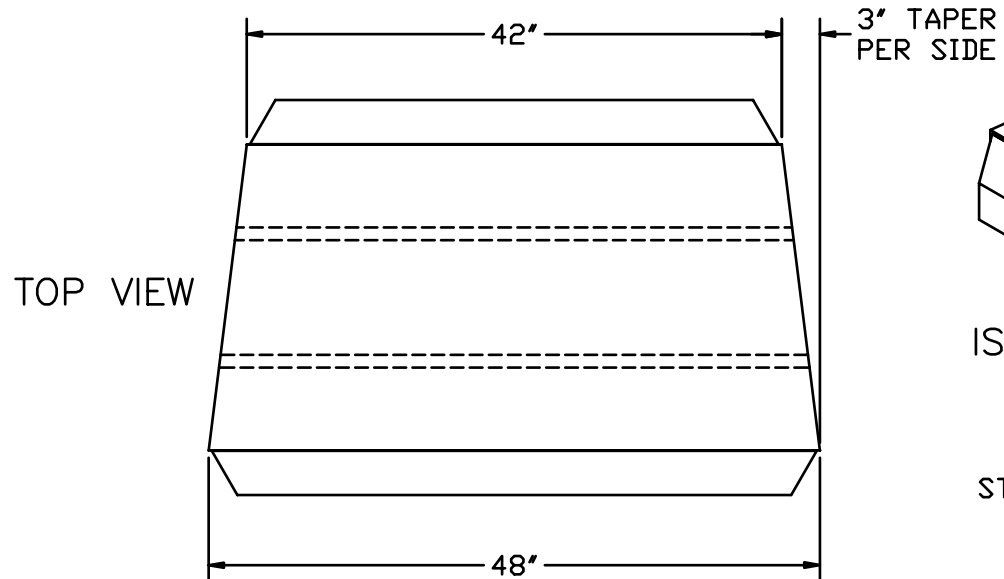
WEIGHT: 750lbs.  
VOLUME: 5.00 Cft

■ LANDSCAPE HALF HIGH - HALF CORNER - RIGHT



WEIGHT: 750 Lbs.  
VOLUME: 5.00 Cft

■ LANDSCAPE TOP CAP



WEIGHT: 765 Lbs.  
VOLUME: 5.1 Cft