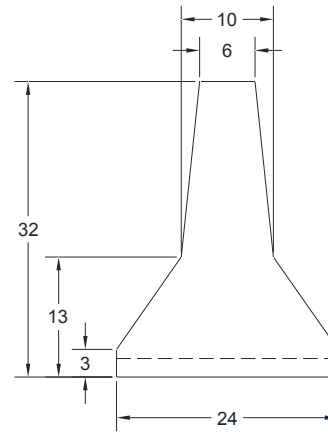
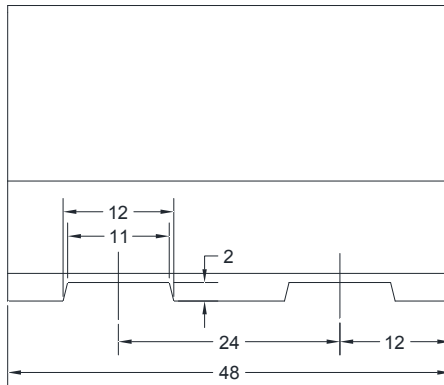
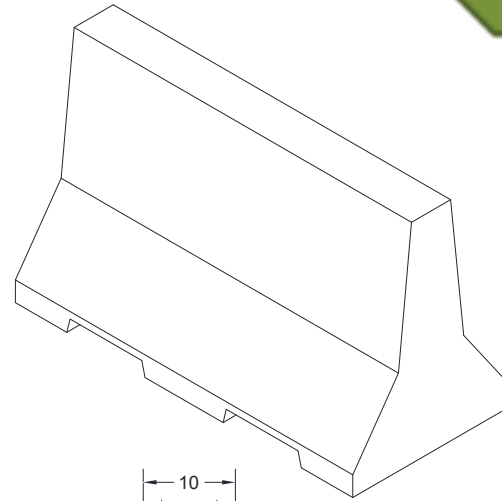
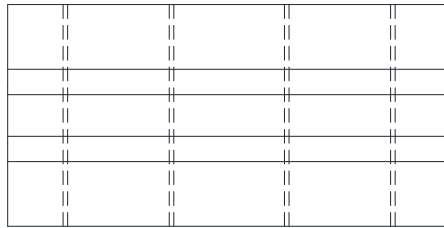




JERSEY BARRIER
SPECIFICATION SHEETS



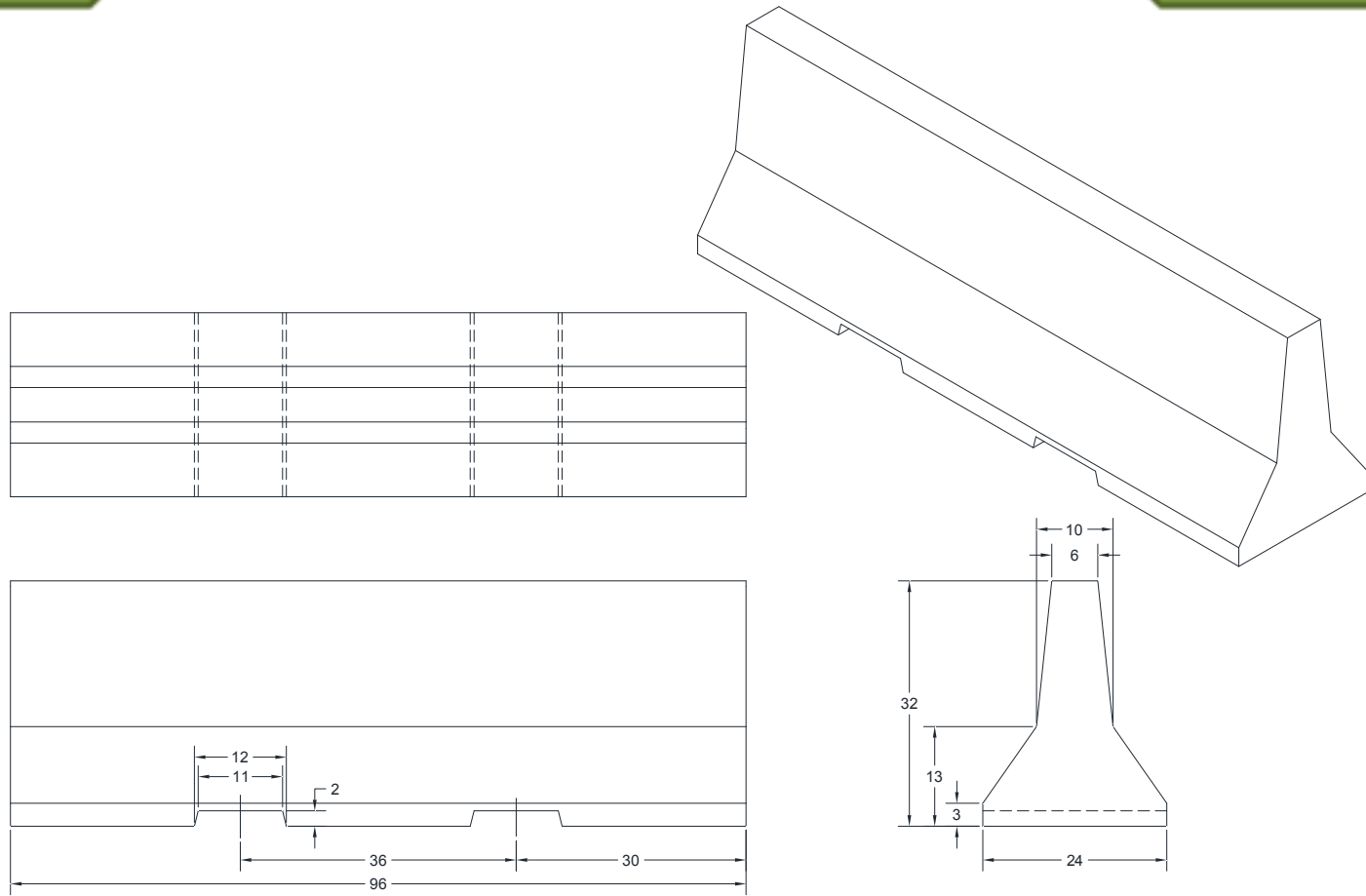
4 ft. Jersey Barrier Specs:

Concrete Required: 10.8 cu ft / Barrier Weight: 1,620 lbs.

**REDROCK
PRECAST**



I

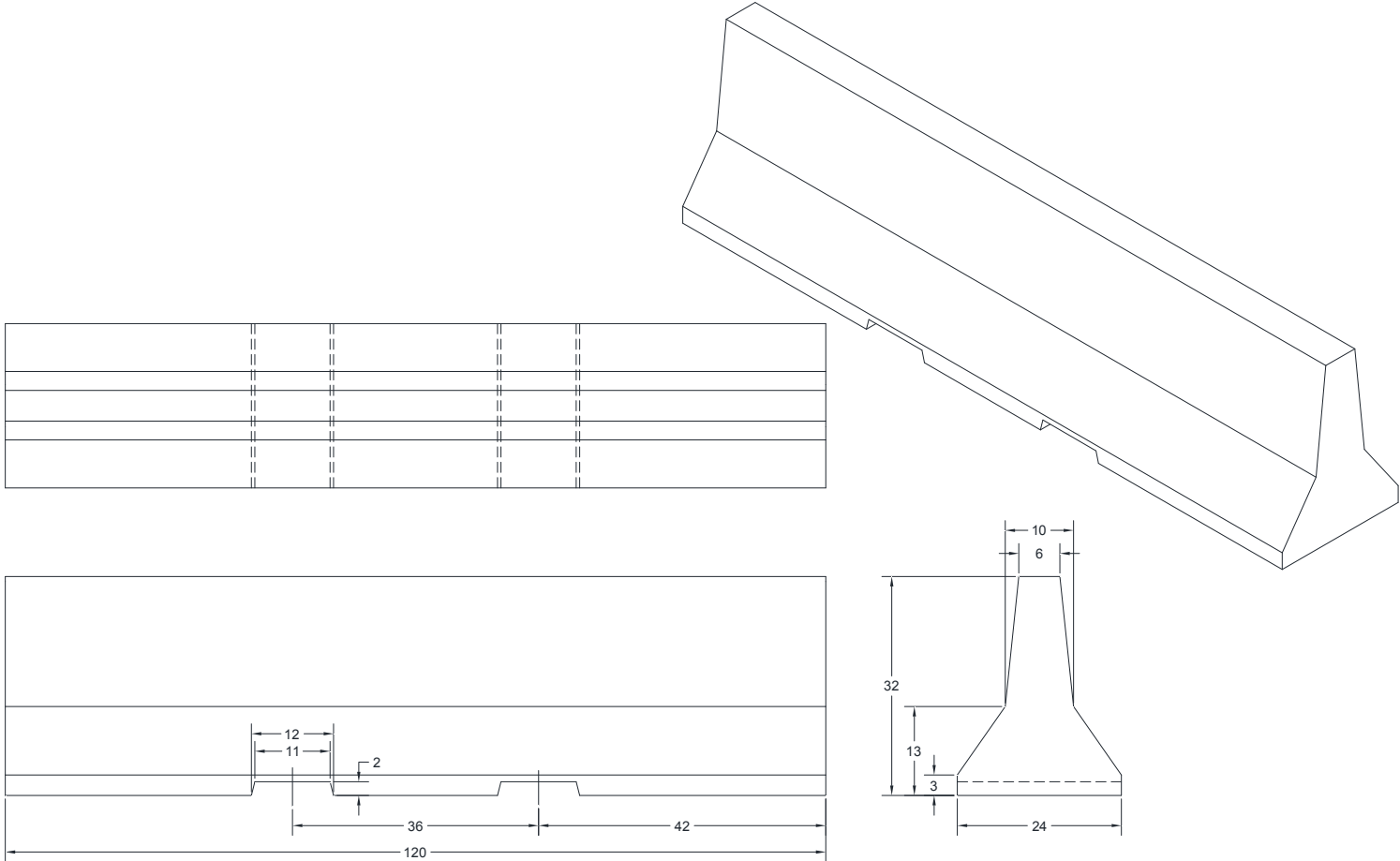


8 ft. Jersey Barrier Specs:

Concrete Required: 21.6 cu ft / Barrier Weight: 3,240 lbs.

**REDROCK
PRECAST**





10 ft. Jersey Barrier Specs:

Concrete Required: 1 cu yd / Barrier Weight: 4,050 lbs.

**REDROCK
PRECAST**



World Block Standard Jersey Barrier Form in Closed position

World Block Standard Jersey Barrier Form in Open position



10 Foot FORM: Part # MB-120-030

8 Foot FORM: Part # MB-96-030

4 Foot FORM: Part # MB-48-030

**REDROCK
PRECAST**